

ProPEX® Engineered Polymer (EP) Tee

Submittal Information
Revision G: Feb. 2, 2016

Project Information

Job Name:	
Location:	Part No. Ordered:
Engineer:	Date Submitted:
Contractor:	Submitted By:
Manufacturer's Representative:	Approved By:

Technical Data

Material: Polysulfone, 20% Glass-reinforced (½" to 1")
Modified Polyphenylsulfone (1¼" to 1½")
Polyphenylsulfone (2" to 3")

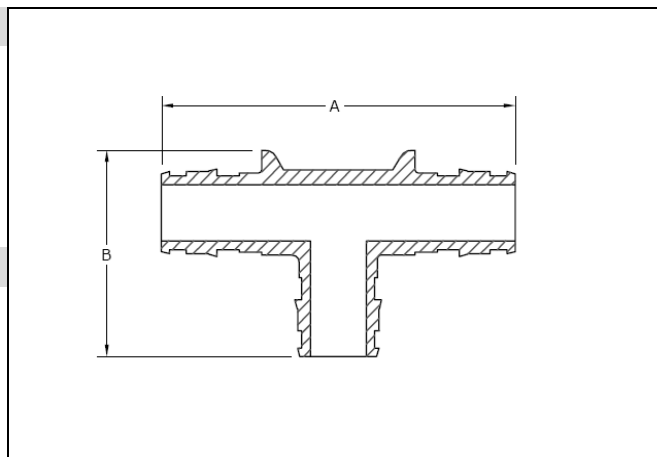
Maximum Temperature (no pressure): 320°F (160°C)

Maximum Working Temperature/Pressure: 210°F (99°C) at 150 psi (1,034 kPa)

Product Information and Application Use

The ProPEX® Engineered Polymer (EP) Tee makes diverting connections for Uponor crosslinked polyethylene (PEX-a) tubing for use in hot and cold domestic potable water systems, residential fire sprinkler systems and hydronic radiant heating and cooling systems. Each end of the tee is manufactured with an Uponor ProPEX fitting for connections to Uponor AquaPEX® or Wirsbo hePEX™ tubing.¹

Note: Branch size is listed last in the part descriptions.



✓ Description	Part Number	A	B	Weight	Equivalent Length (ft.) Through	Equivalent Length (ft.) Branch	Cv Through	Cv Branch
ProPEX EP Tee, ½" PEX x ½" PEX x ½" PEX*	Q4755050	2.50"	1.53"	0.02 lbs.	1.0	6.3	7.7	3.4
ProPEX EP Tee, ¾" PEX x ¾" PEX x ¾" PEX*	Q4757575	3.30"	1.94"	0.05 lbs.	1.5	15.6	15.7	5.4
ProPEX EP Tee, 1" PEX x 1" PEX x 1" PEX*	Q4751010	4.10"	2.47"	0.07 lbs.	1.3	12.7	30.5	11.3
ProPEX EP Tee, 1¼" PEX x 1¼" PEX x 1¼" PEX*	Q4751313	4.80"	3.22"	0.15 lbs.	3.8	8.6	34.0	23.9
ProPEX EP Tee, 1½" PEX x 1½" PEX x 1½" PEX*	Q4751515	5.80"	3.82"	0.25 lbs.	1.8	10.6	63.7	31.0
ProPEX EP Tee, 2" PEX x 2" PEX x 2" PEX*	Q4752000	7.45"	4.79"	0.38 lbs.	0.8	15.5	150.7	52.5
ProPEX EP Tee, 2½" PEX x 2½" PEX x 2½" PEX	Q4752500	10.56"	5.45"	1.14 lbs.	2.7	22.3	197.2	81.5
ProPEX EP Tee, 3" PEX x 3" PEX x 3" PEX	Q4753000	12.26"	6.37"	1.86 lbs.	2.8	23.9	286.6	122.8

Installation

Use the appropriate ProPEX Ring for PEX-a tubing. Refer to the Uponor Professional Plumbing Installation Guide, AquaSAFE™ Residential Fire Sprinkler Installation Guide or Uponor Radiant Installation Handbook for additional information.

Standards

ASTM E84; ASTM E119; ASTM E814; ASTM F877; ASTM F1960; CAN/CSA B137.5; NSF 14; NSF 61

Codes

IBC; IMC; IPC; IRC; NPC of Canada; NSPC; UMC; UPC

Listings

cNSFus-pw; cNSFus-rfh; cQALus P321; *HUD MR 1269; ICC-ES-PMG-1006; ICC-ES-PMG-1012; *UL 1821; *ULC/ORD-C199P; U.P. Code

Related Applications

PEX-a Plumbing Systems
Hydronic Radiant Heating and Cooling Systems
Snow Melting Systems
Turf Conditioning Systems
Permafrost Prevention Systems
AquaSAFE Fire Safety Systems

Contact Information

Uponor, Inc. 5925 148 th Street West Apple Valley, MN 55124 USA Phone: 800.321.4739 Fax: 952.891.2008 www.uponorpro.com	Uponor Ltd. 2000 Argentia Road, Plaza 1, Suite 200 Mississauga, ON L5N 1W1 CANADA Phone: 888.994.7726 Fax: 800.638.9517 www.uponorpro.com
---	--

¹ProPEX® is a registered trademark of Uponor, Inc. ProPEX™ is a trademark of Uponor Ltd.

ProPEX® Engineered Polymer (EP) Reducing Tee (up to 1½")



Submittal Information

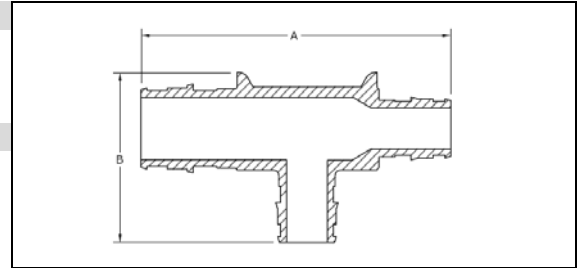
Revision G: Feb. 2, 2016

Project Information

Job Name:	
Location:	Part No. Ordered:
Engineer:	Date Submitted:
Contractor:	Submitted By:
Manufacturer's Representative:	Approved By:

Technical Data

Material:	Polysulfone, 20% Glass-reinforced (½ to 1") Modified Polyphenylsulfone (1¼" to 1½")
Maximum Temperature (no pressure):	320°F (160°C)
Max. Working Temperature/Pressure:	210°F (99°C) at 150 psi (1,034 kPa)



Product Information and Application Use

The ProPEX® Engineered Polymer (EP) Reducing Tee makes diverting connections for Uponor crosslinked polyethylene (PEX-a) tubing for use in hot and cold domestic potable water systems, residential fire sprinkler systems and hydronic radiant heating and cooling systems. Each end of the tee is manufactured with an Uponor ProPEX fitting for connections to Uponor AquaPEX® or Wirsbo hePEX™ tubing. ¹ **Note:** Branch size is listed last in the part descriptions.

✓ Description	Part Number	A	B	Weight	Equiv. Length (ft.) Through	Equiv. Length (ft.) Branch	Cv Through	Cv Branch
ProPEX EP Reducing Tee, ½" PEX x ½" PEX x ¾" PEX	Q4755575	2.86"	1.76"	0.03 lbs.	1.0	15.6	7.7	5.4
ProPEX EP Reducing Tee, ¾" PEX x ½" PEX x ½" PEX	Q4757555	3.10"	1.70"	0.04 lbs.	3.5	6.4	4.6	3.4
ProPEX EP Reducing Tee, ¾" PEX x ½" PEX x ¾" PEX	Q4757557	3.10"	1.94"	0.04 lbs.	2.3	16.1	5.4	5.4
ProPEX EP Reducing Tee, ¾" PEX x ¾" PEX x ⅝" PEX	Q4757563	3.30"	1.85"	0.05 lbs.	N/A	N/A	N/A	N/A
ProPEX EP Reducing Tee, ¾" PEX x ¾" PEX x ½" PEX	Q4757550	3.30"	1.70"	0.04 lbs.	2.0	7.6	14.2	3.1
ProPEX EP Reducing Tee, ¾" PEX x ¾" PEX x 1" PEX	Q4757710	3.64"	2.32"	0.08 lbs.	1.5	5.7	15.7	8.7
ProPEX EP Reducing Tee, 1" PEX x ¾" PEX x ¾" PEX	Q4751775	3.90"	2.24"	0.08 lbs.	2.4	16.7	12.8	5.3
ProPEX EP Reducing Tee, 1" PEX x ¾" PEX x 1" PEX	Q4751751	3.90"	2.47"	0.08 lbs.	2.4	15.1	12.9	10.5
ProPEX EP Reducing Tee, 1" PEX x 1" PEX x ½" PEX	Q4751150	4.10"	2.00"	0.08 lbs.	1.2	6.5	32.2	3.4
ProPEX EP Reducing Tee, 1" PEX x 1" PEX x ¾" PEX	Q4751175	4.10"	2.24"	0.09 lbs.	1.7	6.4	27.8	8.2
ProPEX EP Reducing Tee, 1¼" PEX x 1" PEX x ¾" PEX	Q4751317	4.60"	2.73"	0.11 lbs.	3.4	5.2	21.0	9.3
ProPEX EP Reducing Tee, 1¼" PEX x 1" PEX x 1" PEX	Q4751311	4.60"	2.97"	0.12 lbs.	11.0	23.0	11.7	8.4
ProPEX EP Reducing Tee, 1¼" PEX x 1¼" PEX x ½" PEX	Q4751350	4.40"	2.15"	0.10 lbs.	1.9	3.9	45.2	4.1
ProPEX EP Reducing Tee, 1¼" PEX x 1¼" PEX x ¾" PEX	Q4751337	4.80"	2.73"	0.13 lbs.	2.3	5.7	43.4	8.9
ProPEX EP Reducing Tee, 1¼" PEX x 1¼" PEX x 1" PEX	Q4751331	4.80"	2.97"	0.14 lbs.	4.2	6.3	33.0	15.8
ProPEX EP Reducing Tee, 1½" PEX x 1" PEX x ¾" PEX	Q4751517	5.25"	3.06"	0.17 lbs.	4.0	5.1	19.5	9.3
ProPEX EP Reducing Tee, 1½" PEX x 1" PEX x 1" PEX	Q4751511	5.25"	3.30"	0.18 lbs.	4.3	6.5	18.9	15.6
ProPEX EP Reducing Tee, 1½" PEX x 1" PEX x 1½" PEX	Q4751505	5.40"	3.45"	0.20 lbs.	4.2	14.9	19.0	26.5
ProPEX EP Reducing Tee, 1½" PEX x 1¼" PEX x ¾" PEX	Q4751537	5.50"	2.65"	0.18 lbs.	4.2	11.3	33.1	6.3
ProPEX EP Reducing Tee, 1½" PEX x 1¼" PEX x 1" PEX	Q4751531	5.50"	2.85"	0.19 lbs.	3.1	13.1	36.4	11.2
ProPEX EP Reducing Tee, 1½" PEX x 1¼" PEX x 1¼" PEX	Q4751533	5.50"	3.15"	0.21 lbs.	2.0	17.7	45.4	17.0
ProPEX EP Reducing Tee, 1½" PEX x 1½" PEX x ½" PEX	Q4751550	4.95"	2.30"	0.14 lbs.	2.4	6.3	60.5	3.4
ProPEX EP Reducing Tee, 1½" PEX x 1½" PEX x ¾" PEX	Q4751557	5.80"	3.06"	0.20 lbs.	2.9	5.4	56.0	9.0
ProPEX EP Reducing Tee, 1½" PEX x 1½" PEX x 1" PEX	Q4751551	5.75"	3.30"	0.21 lbs.	3.1	6.9	53.8	15.3
ProPEX EP Reducing Tee, 1½" PEX x 1½" PEX x 1¼" PEX	Q4751553	5.80"	3.56"	0.22 lbs.	3.2	4.1	54.3	33.7

Installation

Use the appropriate ProPEX Ring for PEX-a tubing. Refer to the Uponor Professional Plumbing Installation Guide, AquaSAFE™ Residential Fire Sprinkler Installation Guide or Uponor Radiant Installation Handbook for additional information.

Standards	Codes	Listings
ASTM E84; ASTM E119; ASTM E814; ASTM F877; ASTM F1960; CAN/CSA B137.5; NSF 14; NSF 61	IBC; IMC; IPC; IRC; NPC of Canada; NSPC; UMC; UPC	cNSFus-pw; cNSFus-rfh; cQAIus P321; HUD MR 1269 (except Q4757563); ICC-ES-PMG-1006; ICC-ES-PMG-1012; UL 1821 (except Q4757563); ULC/ORD-C199P (except Q4757563); U.P. Code

Related Applications	Contact Information		
PEX-a Plumbing Systems Hydronic Radiant Heating and Cooling Systems Snow and Ice Melting Systems Turf Conditioning Systems Permafrost Protection Systems AquaSAFE Fire Safety Systems	<table> <tr> <td>Uponor, Inc. 5925 148th Street West Apple Valley, MN 55124 USA Phone: 800.321.4739 Fax: 952.891.2008 www.uponorpro.com</td> <td>Uponor Ltd. 2000 Argentia Rd., Plaza 1, Ste. 200 Mississauga, ON L5N 1W1 CANADA Phone: 888.994.7726 Fax: 800.638.9517 www.uponorpro.com</td> </tr> </table>	Uponor, Inc. 5925 148 th Street West Apple Valley, MN 55124 USA Phone: 800.321.4739 Fax: 952.891.2008 www.uponorpro.com	Uponor Ltd. 2000 Argentia Rd., Plaza 1, Ste. 200 Mississauga, ON L5N 1W1 CANADA Phone: 888.994.7726 Fax: 800.638.9517 www.uponorpro.com
Uponor, Inc. 5925 148 th Street West Apple Valley, MN 55124 USA Phone: 800.321.4739 Fax: 952.891.2008 www.uponorpro.com	Uponor Ltd. 2000 Argentia Rd., Plaza 1, Ste. 200 Mississauga, ON L5N 1W1 CANADA Phone: 888.994.7726 Fax: 800.638.9517 www.uponorpro.com		

¹ProPEX® is a registered trademark of Uponor, Inc. ProPEX™ is a trademark of Uponor Ltd.

ProPEX® Engineered Polymer (EP) Reducing Tee (2" and larger)



Submittal Information

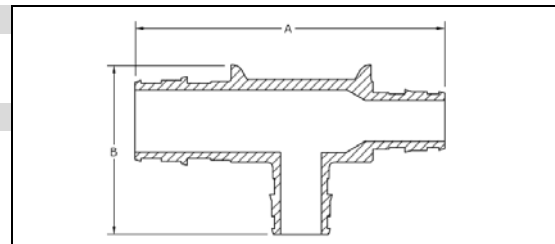
Revision B: Feb. 1, 2016

Project Information

Job Name:	
Location:	Part No. Ordered:
Engineer:	Date Submitted:
Contractor:	Submitted By:
Manufacturer's Representative:	Approved By:

Technical Data

Material:	Polyphenylsulfone
Maximum Temperature (no pressure):	320°F (160°C)
Max. Working Temperature/Pressure:	210°F (99°C) at 150 psi (1,034 kPa)



Product Information and Application Use

The ProPEX® Engineered Polymer (EP) Reducing Tee makes diverting connections for Uponor crosslinked polyethylene (PEX-a) tubing for use in hot and cold domestic potable water systems, residential fire sprinkler systems and hydronic radiant heating and cooling systems. Each end of the tee is manufactured with an Uponor ProPEX fitting for connections to Uponor AquaPEX® or Wirsbo hePEX™ tubing. ¹ **Note:** Branch size is listed last in the part descriptions.

✓ Description	Part Number	A	B	Weight	Equiv. Length (ft.) Through	Equiv. Length (ft.) Branch	Cv Through	Cv Branch
ProPEX EP Reducing Tee, 2" PEX x 1½" PEX x ¾" PEX*	Q4752575	6.62"	3.30"	0.30 lbs.	4.9	6.2	43.5	8.4
ProPEX EP Reducing Tee, 2" PEX x 1½" PEX x 1" PEX*	Q4752051	6.50"	3.40"	0.30 lbs.	5.5	8.4	42.4	13.9
ProPEX EP Reducing Tee, 2" PEX x 1½" PEX x 1¼" PEX*	Q4752053	6.62"	3.80"	0.34 lbs.	5.6	10.3	41.8	22.0
ProPEX EP Reducing Tee, 2" PEX x 1½" PEX x 1½" PEX*	Q4752055	6.62"	4.10"	0.35 lbs.	5.4	13.0	42.1	28.5
ProPEX EP Reducing Tee, 2" PEX x 1½" PEX x 2" PEX*	Q4752152	7.40"	4.25"	0.42 lbs.	6.6	16.1	38.6	51.8
ProPEX EP Reducing Tee, 2" PEX x 2" PEX x ½" PEX*	Q4752250	5.80"	2.80"	0.28 lbs.	2.7	4.0	111.1	4.3
ProPEX EP Reducing Tee, 2" PEX x 2" PEX x ¾" PEX*	Q4752275	6.93"	3.30"	0.34 lbs.	2.7	6.8	115.0	8.2
ProPEX EP Reducing Tee, 2" PEX x 2" PEX x 1" PEX*	Q4752210	6.93"	3.40"	0.36 lbs.	2.4	8.5	119.7	13.8
ProPEX EP Reducing Tee, 2" PEX x 2" PEX x 1¼" PEX*	Q4752213	6.62"	3.80"	0.37 lbs.	3.1	8.8	107.0	23.6
ProPEX EP Reducing Tee, 2" PEX x 2" PEX x 1½" PEX*	Q4752215	7.13"	4.10"	0.44 lbs.	2.5	11.7	115.8	29.9
ProPEX EP Reducing Tee, 2½" PEX x 2" PEX x 1½" PEX	Q4752525	8.19"	4.31"	0.65 lbs.	5.9	11.2	80.4	30.2
ProPEX EP Reducing Tee, 2½" PEX x 2" PEX x 2" PEX	Q4752522	8.99"	4.75"	0.78 lbs.	5.7	16.0	79.5	51.8
ProPEX EP Reducing Tee, 2½" PEX x 2½" PEX x ¾" PEX	Q4752557	7.96"	3.55"	0.66 lbs.	2.0	6.0	209.6	8.5
ProPEX EP Reducing Tee, 2½" PEX x 2½" PEX x 1" PEX	Q4752510	8.16"	3.79"	0.69 lbs.	2.4	5.0	202.0	17.5
ProPEX EP Reducing Tee, 2½" PEX x 2½" PEX x 1¼" PEX	Q4752513	8.66"	4.05"	0.75 lbs.	2.5	9.7	198.8	22.4
ProPEX EP Reducing Tee, 2½" PEX x 2½" PEX x 1½" PEX	Q4752515	8.86"	4.31"	0.78 lbs.	2.5	11.5	200.0	29.8
ProPEX EP Reducing Tee, 2½" PEX x 2½" PEX x 2" PEX	Q4752520	9.66"	4.75"	0.91 lbs.	2.7	14.7	193.2	53.6
ProPEX EP Reducing Tee, 3" PEX x 2" PEX x 2" PEX	Q4753220	9.46"	5.24"	1.10 lbs.	8.1	15.3	69.9	52.8
ProPEX EP Reducing Tee, 3" PEX x 2½" PEX x 1½" PEX	Q4753215	9.33"	4.80"	1.05 lbs.	7.5	12.0	132.5	29.2
ProPEX EP Reducing Tee, 3" PEX x 2½" PEX x 2" PEX	Q4753252	10.13"	5.24"	1.22 lbs.	7.4	16.4	133.2	51.7
ProPEX EP Reducing Tee, 3" PEX x 3" PEX x ¾" PEX	Q4753375	9.06"	4.04"	1.07 lbs.	2.7	6.0	294.9	8.5
ProPEX EP Reducing Tee, 3" PEX x 3" PEX x 1" PEX	Q4753310	9.26"	4.28"	1.10 lbs.	2.8	7.3	291.4	14.8
ProPEX EP Reducing Tee, 3" PEX x 3" PEX x 1¼" PEX	Q4753313	9.76"	4.54"	1.18 lbs.	3.0	9.3	290.4	22.8
ProPEX EP Reducing Tee, 3" PEX x 3" PEX x 1½" PEX	Q4753315	9.96"	4.80"	1.22 lbs.	2.9	11.3	290.5	29.9
ProPEX EP Reducing Tee, 3" PEX x 3" PEX x 2" PEX	Q4753320	10.76"	5.24"	1.38 lbs.	3.0	14.6	287.6	53.8
ProPEX EP Reducing Tee, 3" PEX x 3" PEX x 2½" PEX	Q4753325	11.76"	5.92"	1.65 lbs.	3.0	22.2	288.3	82.2

Installation

Use the appropriate ProPEX Ring for PEX-a tubing. Refer to the Uponor Professional Plumbing Installation Guide, AquaSAFE™ Residential Fire Sprinkler Installation Guide or Uponor Radiant Installation Handbook for additional information.

Standards	Codes	Listings
ASTM E84; ASTM E119; ASTM E814; ASTM F877; ASTM F1960; CAN/CSA B137.5; NSF 14; NSF 61	IBC; IMC; IPC; IRC; NPC of Canada; NSPC; UMC; UPC	cNSFus-pw; cNSFus-rfh; cQAfus P321; *HUD MR 1269; ICC-ES-PMG-1006; ICC-ES-PMG-1012; *UL 1821; *ULC/ORD-C199P; U.P. Code

Related Applications

PEX-a Plumbing Systems
Hydronic Radiant Heating and Cooling Systems
Snow and Ice Melting Systems
Turf Conditioning Systems
Permafrost Protection Systems
AquaSAFE Fire Safety Systems

Contact Information

Uponor, Inc. 5925 148 th Street West Apple Valley, MN 55124 USA Phone: 800.321.4739 Fax: 952.891.2008 www.uponorpro.com	Uponor Ltd. 2000 Argentinia Rd., Plaza 1, Ste. 200 Mississauga, ON L5N 1W1 CANADA Phone: 888.994.7726 Fax: 800.638.9517 www.uponorpro.com
---	--

¹ProPEX® is a registered trademark of Uponor, Inc. ProPEX™ is a trademark of Uponor Ltd.