

ProPEX® Lead-free (LF) Brass Ball Valve

Submittal information
Revision G: Feb. 15, 2019

Project information

Job name:

Location:

Engineer:

Contractor:

Manufacturer's representative:

Part no. ordered:

Date submitted:

Submitted by:

Approved by:

Technical data

Material:	C69300 brass
Maximum temperature (no pressure):	200°F (93.3°C)
Maximum working pressure:	200 psi (13.8 bar)

Product information and application use

Use Uponor ProPEX® lead-free (LF) brass ball valves in all plumbing and radiant heating/cooling applications.¹

Both ends are manufactured with the ProPEX fitting for connections to Uponor AquaPEX® or Wirsbo hePEX™ tubing.

Note: These valves are not compatible with applications using glycol.



✓	Description	Part number	Length	Width	Weight	Cv
	ProPEX LF Brass Ball Valve, 1/2" PEX x 1/2" PEX	LF4815050	2 3/8"	1 1/2"	0.18 lbs.	7.17
	ProPEX LF Brass Ball Valve, 3/4" PEX x 3/4" PEX	LF4817575	3"	1 3/4"	0.32 lbs.	10.7

Installation

Install valves according to local building code. Do not dismantle. Refer to the Uponor AquaPEX Professional Plumbing Installation Guide or the Uponor Radiant Floor Heating Installation Handbook for additional information.

Standards

ASTM F1960; ASTM F877; CSA B137.5; NSF-359

Codes

UPC; NPC of Canada

Listings

NSF-14; NSF-61: U.P. Code; NSF-372; NSF-359

Related applications

PEX-a plumbing systems
Radiant heating and cooling systems

Contact information

Uponor Inc.
5925 148th Street West
Apple Valley, MN 55124 USA
T 800.321.4739
F 952.891.2008
uponorpro.com

Uponor Ltd.
6510 Kennedy Road
Mississauga, ON L5T 2X4 CANADA
T 888.994.7726
F 800.638.9517
uponorpro.com

¹ProPEX® is a registered trademark of Uponor, Inc. ProPEX™ is a trademark of Uponor Ltd.

ProPEX® Lead-free (LF) Brass to Copper Ball Valve

Submittal information
Revision F: Feb. 15, 2019

Project information

Job name:	
Location:	Part no. ordered:
Engineer:	Date submitted:
Contractor:	Submitted by:
Manufacturer's representative:	Approved by:

Technical Data

Material:	C69300 brass
Maximum working temperature:	200°F (93.3°C)
Maximum working pressure:	200 psi (13.8 bar)



Product information and application use

Uponor ProPEX® lead-free (LF) brass ball valves transition brass to copper and feature in-line isolation valves.¹ These valves are not compatible with applications using glycol.

✓ Description	Part number	Length	Height	Weight
ProPEX LF Brass Ball Valve, ½" PEX x ½" Copper Adapter	LF4805050	2½"	1½"	0.18 lbs.
ProPEX LF Brass Ball Valve, ¾" PEX x ¾" Copper Adapter	LF4807575	3"	1¾"	0.32 lbs.

Installation

Install valve according to local building code. Do not dismantle. If soldering, aim flame away from the fitting. For more information, refer to the Uponor AquaPEX® Professional Plumbing Installation Guide or the Radiant Floor Heating Installation Handbook.

Standards

ASTM F1960; ASTM F877; CSA B137.5; NSF-359

Codes

UPC; NPC of Canada

Listings

NSF-14; NSF-61: U.P. Code; NSF-372; NSF-359

Related applications

PEX-a plumbing systems
Radiant heating and cooling systems
Snow and ice melting systems
Permafrost protection systems
Turf conditioning systems

Contact information

Uponor, Inc.
5925 148th Street West
Apple Valley, MN 55124 USA
T 800.321.4739
F 952.891.2008
uponorpro.com

Uponor Ltd.
6510 Kennedy Road
Mississauga, ON L5T 2X4 CANADA
T 888.994.7726
F 800.638.9517
uponorpro.com

¹ProPEX® is a registered trademark of Uponor, Inc. ProPEX™ is a trademark of Uponor Ltd.

ProPEX® Lead-free (LF) Brass Commercial Ball Valve

Submittal information
Revision C: June 26, 2018

Project information

Job name:

Location: Part no. ordered:

Engineer: Date submitted:

Contractor: Submitted by:

Manufacturer's representative: Approved by:

Technical data

Material (body, ball and stem):	C69300 brass
Maximum temperature (no pressure):	200°F (93.3°C)
Maximum working pressure:	200 psi
Cold working pressure (CWP):	250 psi



Product information and application use

Use Uponor ProPEX® Lead-free Brass Commercial Ball Valves for all commercial PEX piping applications.¹ Both ends are manufactured with the ProPEX fitting for direct connections to Uponor PEX piping.

Note: These valves are compatible with applications using a propylene glycol mixture up to a maximum of 50% propylene glycol.

✓ Description	Part number	Length	Width	Weight	Cv
ProPEX LF Brass Commercial Ball Valve (full port), ½" PEX x ½" PEX	LFC4825050	2.75"	0.92"	0.36 lbs.	7.0
ProPEX LF Brass Commercial Ball Valve (full port), ¾" PEX x ¾" PEX	LFC4827575	3.25"	1.28"	0.52 lbs.	18.7
ProPEX LF Brass Commercial Ball Valve (full port), 1" PEX x 1" PEX	LFC4821010	4.27"	1.81"	1.3 lbs.	29.0
ProPEX LF Brass Commercial Ball Valve (full port), 1¼" PEX x 1¼" PEX	LFC4821313	4.75"	1.81"	1.44 lbs.	54.7
ProPEX LF Brass Commercial Ball Valve (full port), 1½" PEX x 1½" PEX	LFC4821515	5.68"	2.07"	2.12 lbs.	68.2
ProPEX LF Brass Commercial Ball Valve (full port), 2" PEX x 2" PEX	LFC4822020	7.125"	2.84"	4.18 lbs.	132.2
Stem Extension Kit for ½" and ¾" Valves	F5630001	2.625"	0.906"	0.31 lbs.	N/A
Stem Extension Kit for 1" and 1¼" Valves	F5630002	2.625"	1.063"	0.48 lbs.	N/A
Stem Extension Kit for 1½" and 2" Valves	F5630003	2.625"	1.26"	0.57 lbs.	N/A

Installation

Install valve and stem extension kit according to local building code. Do not dismantle. Refer to the Uponor Piping Pocket Guide or the Uponor Plumbing Design Assistance Manual (PDAM) for additional information.

Standards

CSA B137.5; ASTM F877; ASTM F1960; NSF-359

Codes

IPC; UPC; NSPC; NPC of Canada

Listings

ANSI/NSF 14- and 61-certified; U.P. Code, Annex G, NSF-359

Related applications

PEX-a plumbing systems
Radiant heating and cooling systems
Snow and ice melting systems
Permafrost protection systems
Turf conditioning systems

Contact information

Uponor, Inc.
5925 148th Street West
Apple Valley, MN 55124 USA
Phone: 800.321.4739
Fax: 952.891.1409
uponorpro.com
uponorengineering.com

Uponor Ltd.
6510 Kennedy Road
Mississauga, ON L5T 2X4 CANADA
Phone: 888.994.7726
Fax: 800.638.9517
uponorpro.com
uponorengineering.com

¹ProPEX® is a registered trademark of Uponor, Inc. ProPEX™ is a trademark of Uponor Ltd.

ProPEX® Lead-free (LF) Brass Water Meter Service Valve

Submittal information
Revision B: Feb. 27, 2018

Project information

Job name:	
Location:	Part no. ordered:
Engineer:	Date submitted:
Contractor:	Submitted by:
Manufacturer's representative:	Approved by:

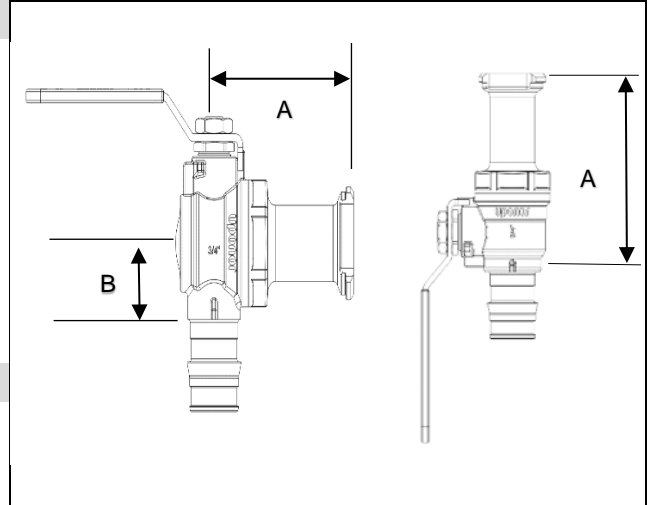
Technical data

Material: Valve: C27453 lead-free (LF) brass per ASTM B283/B283M
Metal nut: UNS CW614 per ASTM B16/B16M
EP nut: Polypropylene GF30 black
Gasket: EPDM

Max. temp. (no pressure): 180°F (82.2°C)

Min. fluid temp.: -30°F (-34°C)

Max. working pressure: 100 psi



Product information and application use

Use Uponor ProPEX® lead-free (LF) brass water meter service valves in all commercial sub-metering and residential water service inlets, outlets or both.¹ The valves allow for a direct ASTM F1960 connection to water meters sized 5/8" to 1". Valve is sized for 3/4" or 1" Uponor AquaPEX® tubing.

✓ Description	Part number	A	B	C (Nut size)	D (Gasket thickness)	Weight	Cv
ProPEX LF Brass Straight Water Meter Valve Connector, 3/4" PEX x 1" NPSM	WS4820750	2.814"	N/A	3/4-1 NPSM	0.118"	0.76 lbs.	13.0
ProPEX LF Brass Straight Water Meter Valve Connector, 1" PEX x 1 1/4" NPSM	WS4821000	3.302"	N/A	1-1 1/4 NPSM	0.118"	1.22 lbs.	25.5
ProPEX LF Brass Elbow Water Meter Valve Connector, 3/4" PEX x 1" NPSM	WS4820751	2.250"	0.780"	3/4-1 NPSM	0.118"	0.76 lbs.	6.1
ProPEX LF Brass Elbow Water Meter Valve Connector, 1" PEX x 1 1/4" NPSM	WS4821001	2.625"	0.827"	1-1 1/4 NPSM	0.118"	1.24 lbs.	10.4

Installation

ProPEX tool and ProPEX rings (sold separately) are required for connecting the PEX tubing. For more information, refer to the Uponor AquaPEX professional plumbing installation guide.

Standards

CAN/CSA B137.5; ASTM F877; ASTM F1960

Codes

IPC; UPC; NSPC; NPC of Canada

Listings

NSF/ANSI 14- and 61- certified; U.P. Code, Annex G; NSF 359

Related applications

PEX plumbing systems

Contact information

Uponor Inc.
5925 148th Street West
Apple Valley, MN 55124 USA
T 800.321.4739
F 952.891.2008
uponorpro.com

Uponor Ltd.
6510 Kennedy Road
Mississauga, ON L5T 2X4 CANADA
T 888.994.7726
F 800.638.9517
uponorpro.com

¹ProPEX® is a registered trademark of Uponor Inc. ProPEX™ is a trademark of Uponor Ltd.

ProPEX® LF Brass Ice Maker Valve

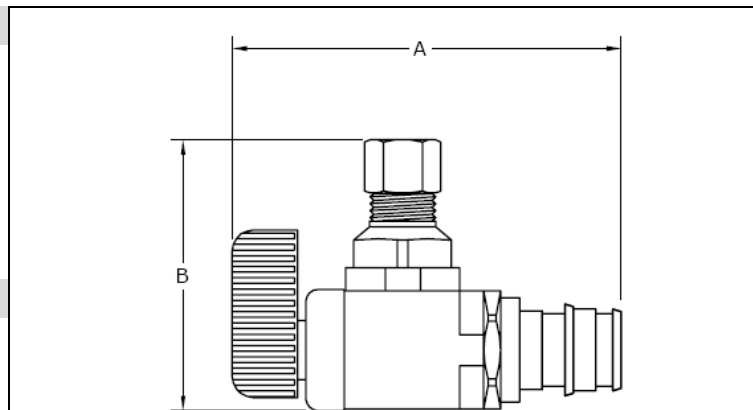
Submittal Information
Revision D: Feb. 22, 2018

Project information

Job name:	
Location:	Part no. ordered:
Engineer:	Date submitted:
Contractor:	Submitted by:
Manufacturer's representative:	Approved by:

Technical data

Material:	C69300 LF Brass
Maximum temperature (no pressure):	250°F (121°C)
Maximum working pressure:	250 psi



Product information and application use

Uponor ProPEX® Lead-free (LF) Brass Ice Maker Valve connects ½" Uponor AquaPEX® tubing to ¼" O.D. compression with quarter-turn and shut-off capability.¹

✓ Description	Part number	A	B	Weight
ProPEX LF Brass Ice Maker Valve, ½" PEX x ¼" O.D. (angle)	LF4785025	2.75"	1.61"	0.30 lbs.
ProPEX LF Brass Ice Maker Valve, ½" PEX x ¼" O.D. (straight)	LF4786025	2.75"	1.61"	0.35 lbs.

Installation

Install valves according to local building code. Do not dismantle. Refer to the Uponor Professional Plumbing Installation Guide for additional information.

Standards

CSA B137.5 and B125; ASTM F877; ASTM F1960; ASME A112.18.1

Codes

IPC; UPC; NSPC; NPC of Canada

Listings

IAPMO 3960; NSF 61- and 9-certified

Related applications

PEX-a plumbing systems

Contact information

Uponor Inc.
5925 148th Street West
Apple Valley, MN 55124 USA
Phone: 800.321.4739
Fax: 952.891.2008
uponorpro.com

Uponor Ltd.
6510 Kennedy Road
Mississauga, ON L5T 2X4 CANADA
Phone: 888.994.7726
Fax: 800.638.9517
uponorpro.com

¹ProPEX® is a registered trademark of Uponor Inc. ProPEX™ is a trademark of Uponor Ltd.

ProPEX® Lead-free (LF) Brass Stop Valve

Submittal information

Revision C: March 24, 2017

Project information

Job name:

Location:

Engineer:

Contractor:

Manufacturer's representative:

Part no. ordered:

Date submitted:

Submitted by:

Approved by:

Technical data

Material: Chrome-plated C69300 brass

Maximum working pressure/temperature: 145 psi (10 bar)/194°F (90°C)

Product information and application use

Uponor ProPEX® lead-free (LF) brass stop valves are quarter-turn, chrome-plated and available in either angle or straight-stop configurations.¹

Made for point-of-use shut-off at the fixture, this stop valve connects ½" Uponor AquaPEX® tubing to ⅜" outside diameter (O.D.) risers.



✓	Description	Part number	Length	Depth	Valve threading	Weight
	ProPEX LF Angle Stop Valve for ½" PEX	LF4855038	2.02"	1.32"	⅜" compression	0.16 lbs.
	ProPEX LF Straight Stop Valve for ½" PEX	LF4865038	1.97"	1.33"	⅜" compression	0.16 lbs.

Installation

Install this straight or angle stop valve according to your local building code. Do not dismantle. Refer to the AquaPEX Professional Plumbing Installation Guide or Radiant Floor Heating Installation Handbook for additional information.

Standards

CSA B137.5 and B125; ASTM F877; ASTM F1960; ASME A112.18.1

Codes

IPC; UPC; NSPC; NPC of Canada

Listings

ANSI/NSF 14- and 61-certified; U.P. Code, Annex G

Related applications

PEX-a plumbing systems

Contact information

Uponor Inc.
5925 148th Street West
Apple Valley, MN 55124 USA
T 800.321.4739
F 952.891.2008
uponorpro.com

Uponor Ltd.
2000 Argentia Rd., Plaza 1, Ste. 200
Mississauga, ON L5N 1W1 CANADA
T 888.994.7726
F 800.638.9517
uponorpro.com

¹ProPEX® is a registered trademark of Uponor, Inc. ProPEX™ is a trademark of Uponor, Ltd.

ProPEX® Lead-free (LF) Brass Ball Valve, 1/2" PEX x 1/2" MIP

Submittal Information
Revision B: June 17, 2013

Project Information

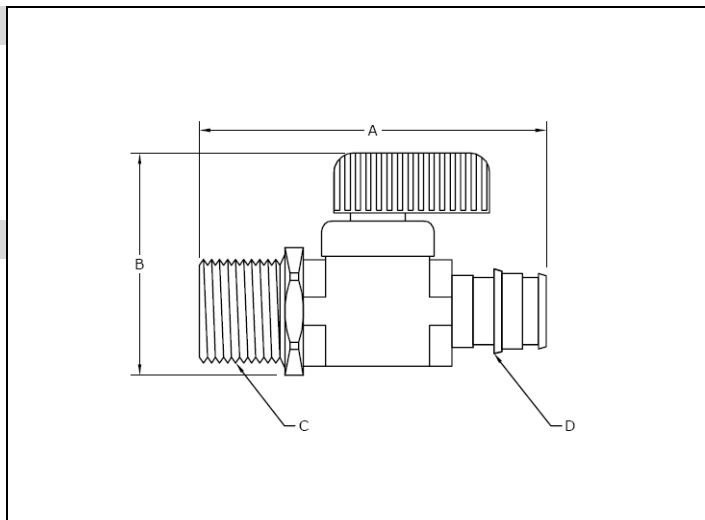
Job Name:	
Location:	Part No. Ordered:
Engineer:	Date Submitted:
Contractor:	Submitted By:
Manufacturer's Representative:	Approved By:

Technical Data

Material:	C69300 Brass
Maximum Temperature (no pressure):	250°F (121°C)
Maximum Working Pressure:	250 psi

Product Information and Application Use

ProPEX® Lead-free Ball Valve features a shut-off valve between 1/2" Uponor AquaPEX® tubing and 1/2" male iron pipe (MIP).¹ These valves are not compatible with applications using glycol.



✓ Description	Part Number	A	B	C	D	Weight
ProPEX LF Brass Ball Valve, 1/2" PEX x 1/2" MIP	LF4795050	2.69"	1.63"	1/2" MNPT	1/2" ProPEX	0.20 lbs.

Installation

Install valve according to local building code. Do not dismantle. If soldering, aim flame away from fitting. For more information, refer to the Uponor Professional Plumbing Installation Guide.

Standards

CSA 137.5 and B125; ASTM F877; ASTM F1960; ASME A112.18.1

Codes

IPC; UPC; NSPC; NPC of Canada

Listings

ANSI/NSF 14- and 61-certified; U.P. Code, Annex G

Related Applications

PEX-a Plumbing Systems

Contact Information

Uponor, Inc.
5925 148th Street West
Apple Valley, MN 55124 USA
Phone: 800.321.4739
Fax: 952.891.2008
www.uponorpro.com

Uponor Ltd.
2000 Argentia Rd., Plaza 1, Ste. 200
Mississauga, ON L5N 1W1 CANADA
Phone: 888.994.7726
Fax: 800.638.9517
www.uponorpro.com

¹ProPEX® is a registered trademark of Uponor, Inc. ProPEX™ is a trademark of Uponor Ltd.