

Wirsbo hePEX™ Tubing, 5/16" to 2" Coils

Submittal information
Revision I: Sept. 18, 2018

Project information

Job name:	
Location:	Part no. ordered:
Engineer:	Date submitted:
Contractor:	Submitted by:
Manufacturer's representative:	Approved by:

Technical data

Material:	Crosslinked polyethylene PEX-a Engel method
Thermal conductivity:	0.22 BTU/h/ft ² /°F
Standard grade hydrostatic ratings (PPI):	200°F at 80 psi (93°C at 5.51 bar); 180°F at 100 psi (82°C at 6.89 bar) 73.4°F at 160 psi (23°C at 11.03 bar)
Linear expansion rate:	1.1"/10°F per 100 ft. (27.94mm/5.56°C per 30.48m)



Product information and application use

Wirsbo hePEX™ tubing is used for closed-loop heating and cooling applications, including radiant and hydronic distribution. It has an oxygen diffusion barrier that meets German DIN 4726/9. A polyethylene layer is extruded over the oxygen barrier to protect from site abuse and moisture saturation.

✓	Description	Part number	I.D.	O.D.	Weight
	5/16" Wirsbo hePEX, 100-ft. coil	A1140313	0.292"	0.430"	3.00 lbs.
	5/16" Wirsbo hePEX, 250-ft. coil	A1180313	0.292"	0.430"	7.49 lbs.
	5/16" Wirsbo hePEX, 1,000-ft. coil	A1220313	0.292"	0.430"	29.98 lbs.
	3/8" Wirsbo hePEX, 100-ft. coil	A1140375	0.350"	0.500"	4.19 lbs.
	3/8" Wirsbo hePEX, 400-ft. coil	A1210375	0.350"	0.500"	16.76 lbs.
	3/8" Wirsbo hePEX, 1,000-ft. coil	A1220375	0.350"	0.500"	41.91 lbs.
	1/2" Wirsbo hePEX, 100-ft. coil	A1140500	0.475"	0.625"	5.30 lbs.
	1/2" Wirsbo hePEX, 300-ft. coil	A1250500	0.475"	0.625"	15.89 lbs.
	1/2" Wirsbo hePEX, 500-ft. coil	A1260500	0.475"	0.625"	26.48 lbs.
	1/2" Wirsbo hePEX, 1,000-ft. coil	A1220500	0.475"	0.625"	52.96 lbs.
	5/8" Wirsbo hePEX, 100-ft. coil	A1140625	0.574"	0.750"	7.60 lbs.
	5/8" Wirsbo hePEX, 300-ft. coil	A1250625	0.574"	0.750"	22.79 lbs.
	5/8" Wirsbo hePEX, 400-ft. coil	A1210625	0.574"	0.750"	30.39 lbs.
	5/8" Wirsbo hePEX, 1,000-ft. coil	A1220625	0.574"	0.750"	75.98 lbs.
	3/4" Wirsbo hePEX, 100-ft. coil	A1140750	0.671"	0.875"	10.02 lbs.
	3/4" Wirsbo hePEX, 300-ft. coil	A1250750	0.671"	0.875"	30.07 lbs.
	3/4" Wirsbo hePEX, 500-ft. coil	A1240750	0.671"	0.875"	50.11 lbs.
	3/4" Wirsbo hePEX, 1,000-ft. coil	A1220750	0.671"	0.875"	100.22 lbs.
	1" Wirsbo hePEX, 100-ft. coil	A1141000	0.862"	1.125"	17.10 lbs.
	1" Wirsbo hePEX, 300-ft. coil	A1251000	0.862"	1.125"	51.29 lbs.
	1" Wirsbo hePEX, 500-ft. coil	A1241000	0.862"	1.125"	85.48 lbs.
	1 1/4" Wirsbo hePEX, 100-ft. coil	A1141250	1.054"	1.375"	24.10 lbs.
	1 1/4" Wirsbo hePEX, 300-ft. coil	A1251250	1.054"	1.375"	72.29 lbs.
	1 1/2" Wirsbo hePEX, 100-ft. coil	A1141500	1.244"	1.625"	34.93 lbs.
	1 1/2" Wirsbo hePEX, 300-ft. coil	A1251500	1.244"	1.625"	104.79 lbs.
	2" Wirsbo hePEX, 100-ft. coil	A1142000	1.629"	2.125"	60.10 lbs.
	2" Wirsbo hePEX, 300-ft. coil	A1252000	1.629"	2.125"	180.29 lbs.

Installation

Approved fitting system is ProPEX®. ¹ Refer to the Uponor Complete Design Assistance Manual (CDAM) or Hydronic Piping Design Assistance Manual (HPDAM) for further information.

Listings²

cNSFus-rfh; cNSFus-pw; cQAIus P321; UL; CSA; PPI TR-4; ICC-ES; CCMC

Codes

ICC; IPC; IMC; IRC; UPC; UMC; NSPC; HUD; UFGS; NPC of Canada; NBC of Canada; IAPMO

Standards

ANSI/NSF 14; ANSI/NSF 61; ASTM F876; ASTM F877; ASTM F1960; ASTM F2023; ASTM E84; CAN/ULC S102.2; ASTM E119/UL 263; CAN/ULC S101; ASTM E814/ULC S115; CSA B137.5; CSA B214; DIN 4726/9; AWWA C904³

Related applications

Radiant heating and cooling systems
Snow and ice melting systems
Permafrost protection systems
Turf conditioning systems
Chilled water distribution
Hot water distribution

Contact information

Uponor Inc.
5925 148th Street West
Apple Valley, MN 55124 USA
Phone: 800.321.4739
Fax: 952.891.2008
uponorpro.com

Uponor Ltd.
6510 Kennedy Road
Mississauga, ON L5T 2X4 CANADA
Phone: 888.994.7726
Fax: 800.638.9517
uponorpro.com

¹ProPEX® is a registered trademark of Uponor Inc. ProPEX™ is a trademark of Uponor Ltd.

²Visit listing agency's website for complete information.

³For 3/4" to 3" pipe.

Wirsbo hePEX™ Tubing, 2½" to 4" Coils

Submittal information
Revision H: Sept. 18, 2018

Project information

Job Name:	
Location:	Part no. ordered:
Engineer:	Date submitted:
Contractor:	Submitted by:
Manufacturer's representative:	Approved by:

Technical data

Material:	Crosslinked polyethylene PEX-a Engel Method
Thermal conductivity:	0.22 Btu.ft/sq.ft.hr.degF
Standard grade hydrostatic ratings (PPI):	200°F at 80 psi (93°C at 5.51 bar) 180°F at 100 psi (82°C at 6.89 bar) 73.4°F at 160 psi (23°C at 11.03 bar)
Linear expansion rate:	1.1"/10°F per 100 ft. (27.94mm/5.56°C per 30.48m)



Product information and application use

Wirsbo hePEX™ tubing is used for closed-loop heating and cooling applications, including radiant and hydronic distribution. It has an EVOH oxygen diffusion barrier that meets German DIN 4726/9. These larger-sized products are designed for commercial projects or other custom-designed applications.

✓ Description	Part number	Tube ID	Tube OD	Weight
2½" Wirsbo hePEX, 100-ft. coil	A1142500	2.011"	2.625"	92.20 lbs.
2½" Wirsbo hePEX, 300-ft. coil	A1252500	2.011"	2.625"	276.56 lbs.
3" Wirsbo hePEX, 100-ft. coil	A1143000	2.400"	3.125"	129.70 lbs.
3" Wirsbo hePEX, 300-ft. coil	A1253000	2.400"	3.125"	389.08 lbs.
3½" Wirsbo hePEX, 100-ft. coil	A1143500	2.784"	3.625"	173.80 lbs.
4" Wirsbo hePEX, 100-ft. coil	A1144000	3.169"	4.125"	225.13 lbs.

Installation

Use ProPEX® fittings to connect pipe sizes up to 3".¹ Use WIPEX™ fittings for 3½" and 4" pipe. Refer to the Uponor Complete Design Assistance Manual (CDAM) or Hydronic Piping Design Assistance Manual (HPDAM) for additional information.

Listings²

cNSFus-rfh; cNSFus-pw; cQAIus P321; UL; CSA; PPI TR-4; ICC-ES; CCMC

Codes

ICC; IPC; IMC; IRC; UPC; UMC; NSPC; HUD; UFGS; NPC of Canada; NBC of Canada; IAPMO

Standards

ANSI/NSF 14; ANSI/NSF 61; ASTM F876; ASTM F877; ASTM F1960; ASTM F2023; ASTM E84; CAN/ULC S102.2; ASTM E119/UL 263; CAN/ULC S101; ASTM E814/ULC S115; CSA B137.5; CSA B214; DIN 4726/9; AWWA C904³

Related applications

Radiant heating and cooling systems
Snow and ice melting systems
Permafrost protection systems
Turf conditioning systems
Chilled water distribution
Hot water distribution

Contact information

Uponor, Inc.
5925 148th Street West
Apple Valley, MN 55124 USA
Phone: 800.321.4739
Fax: 952.891.2008
uponorpro.com

Uponor Ltd.
6510 Kennedy Road
Mississauga, ON L5T 2X4 CANADA
Phone: 888.994.7726
Fax: 800.638.9517
uponorpro.com

¹ProPEX® is a registered trademark of Uponor, Inc. ProPEX™ is a trademark of Uponor Ltd.

²Visit listing agency's website for complete information.

³For ¾" to 3" pipe.

Wirsbo hePEX™ Tubing, Straight Lengths

Submittal information
Revision I: Sept. 18, 2018

Project Information

Job name:

Location:

Part no. ordered:

Engineer:

Date submitted:

Contractor:

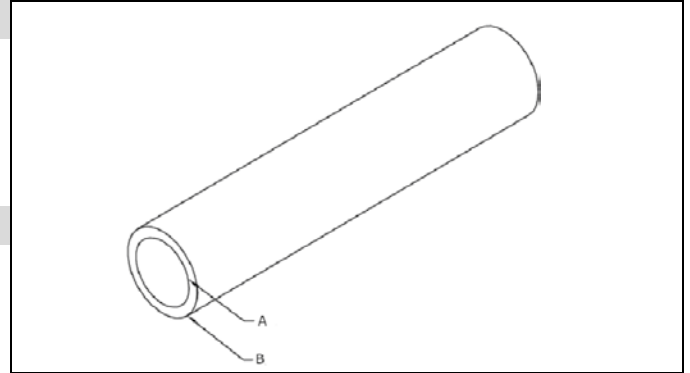
Submitted by:

Manufacturer's representative:

Approved by:

Technical Data

Material:	Crosslinked polyethylene PEX-a Engel method
Standard grade hydrostatic ratings (PPI):	200°F (93°C) at 80 psi 180°F (82°C) at 100 psi 73.4°F (23°C) at 160 psi
Linear expansion rate:	1.1"/10°F/100' (27.94mm/5.56°C/30.48m)



Product information and application use

Wirsbo hePEX™ tubing is used for closed-loop heating and cooling applications, including radiant and hydronic distribution. Wirsbo hePEX tubing has an EVOH oxygen diffusion barrier that meets German DIN 4726/9. A polyethylene layer extruded over the EVOH barrier protects tubing from site abuse and moisture saturation.

✓ Description	Part number	A	B	Bundle weight
½" Wirsbo hePEX, 20-ft. straight length, 500 ft. (25 per bundle)	A1930500	0.475"	0.625"	26.48 lbs.
⅝" Wirsbo hePEX, 20-ft. straight length, 300 ft. (15 per bundle)	A1930625	0.574"	0.750"	22.79 lbs.
¾" Wirsbo hePEX, 20-ft. straight length, 300 ft. (15 per bundle)	A1930750	0.671"	0.875"	30.07 lbs.
1" Wirsbo hePEX, 20-ft. straight length, 200 ft. (10 per bundle)	A1921000	0.862"	1.125"	34.19 lbs.
1¼" Wirsbo hePEX, 20-ft. straight length, 100 ft. (5 per bundle)	A1921250	1.054"	1.375"	24.10 lbs.
1½" Wirsbo hePEX, 20-ft. straight length, 100 ft. (5 per bundle)	A1921500	1.244"	1.625"	34.93 lbs.
2" Wirsbo hePEX, 20-ft. straight length, 100 ft. (5 per bundle)	A1922000	1.629"	2.125"	60.10 lbs.
2½" Wirsbo hePEX, 10-ft. straight length, 30 ft. (3 per bundle)	A1912500	2.011"	2.625"	27.70 lbs.
2½" Wirsbo hePEX, 20-ft. straight length, 60 ft. (3 per bundle)	A1922500	2.011"	2.625"	55.30 lbs.
3" Wirsbo hePEX, 10-ft. straight length, 30 ft. (3 per bundle)	A1913000	2.400"	3.125"	38.90 lbs.
3" Wirsbo hePEX, 20-ft. straight length, 40 ft. (2 per bundle)	A1923000	2.400"	3.125"	51.90 lbs.
3½" Wirsbo hePEX, 10-ft. straight length, 30 ft. (3 per bundle)	A1913500	2.784"	3.625"	52.10 lbs.
3½" Wirsbo hePEX, 20-ft. straight length, 40 ft. (2 per bundle)	A1923500	2.784"	3.625"	69.50 lbs.
4" Wirsbo hePEX, 10-ft. straight length, 20 ft. (2 per bundle)	A1914000	3.209"	4.125"	45.00 lbs.
4" Wirsbo hePEX, 20-ft. straight length, 10 ft. (1 per bundle)	A1924000	3.209"	4.125"	45.00 lbs.

Installation

Use ProPEX® fittings for pipe sizes to 3".¹ Use WIPEX™ fittings for 3½" and 4" pipe. Refer to the Uponor Complete Design Assistance Manual (CDAM) or the Uponor Hydronic Piping Design Assistance Manual (HPDAM) for additional information.

Listings²

cNSFus-rfh; cNSFus-pw; cQAlus P321; UL; CSA; PPI TR-4; ICC-ES; CCMC

Codes

ICC; IPC; IMC; IRC; UPC; UMC; NSPC; HUD; UFGS; NPC of Canada; NBC of Canada; IAPMO

Standards

ANSI/NSF 14; ANSI/NSF 61; ASTM F876; ASTM F877; ASTM F1960; ASTM F2023; ASTM E84; CAN/ULC S102.2; ASTM E119/UL 263; CAN/ULC S101; ASTM E814/ULC S115; CSA B137.5; CSA B214; DIN 4726/9; AWWA C904³

Related applications

Radiant heating and cooling systems
Snow and ice melting systems
Permafrost protection systems
Turf conditioning systems
Chilled water distribution
Hot water distribution

Contact information

Uponor Inc.
5925 148th Street West
Apple Valley, MN 55124 USA
Phone: 800.321.4739
Fax: 952.891.2008
uponorpro.com

Uponor Ltd.
6510 Kennedy Road
Mississauga, ON L5T 2X4 CANADA
Phone: 888.994.7726
Fax: 800.638.9517
uponorpro.com

¹ProPEX® is a registered trademark of Uponor Inc. ProPEX™ is a trademark of Uponor Ltd.

²Visit listing agency's website for complete information.

³For ¾" to 3" pipe.

Pre-insulated Wirsbo hePEX™(ASHRAE 90.1-2013)

Submittal information
Revision B: Sept. 19, 2018

Project information

Job name:	
Location:	Part no. ordered:
Engineer:	Date submitted:
Contractor:	Submitted by:
Manufacturer's representative:	Approved by:

Technical data

Service pipe:	Crosslinked polyethylene PEX-a Engel method pipe
Insulation:	Polyethylene foam
Thermal conductivity:	0.25 Btu.in/h/sq.ft/°F
Operating condition limits: (hydrostatic ratings)	200°F at 80 psi (93°C at 5.5 bar) 180°F at 100 psi (82°C at 6.9 bar) 73.4°F at 160 psi (23°C at 11 bar)
Linear expansion rate:	1.1"/10°F per 100' (27.94mm/5.56°C per 30.48m)



Product information and application use

Pre-insulated Wirsbo hePEX™ features oxygen-barrier PEX pipe encased in polyethylene-foam insulation to meet ASHRAE 90.1-2013 energy-code requirements for hydronic heating and cooling or radiant heating and cooling applications. The piping is approved for direct burial in soil, provided it is not exposed to groundwater. Uponor recommends adding ½" of insulation to accommodate for foam compression in direct-burial applications.

✓ Description	Part no.	O.D.	Heat loss (at 70°ΔT)	R-Value	Coil size (O.D. x Width)	Weight (lb./coil)
½" Pre-insulated Wirsbo hePEX with ½" insulation, 100-ft. coil	A6140500	1.81"	7.4 Btu/hr/ft	3.9	40" x 6.5"	8.0 lbs.
¾" Pre-insulated Wirsbo hePEX with ½" insulation, 100-ft. coil	A6140750	2.06"	9.0 Btu/hr/ft	3.6	40" x 6.5"	12.8 lbs.
1" Pre-insulated Wirsbo hePEX with ½" insulation, 100-ft. coil	A6141000	2.31"	10.6 Btu/hr/ft	3.4	42" x 9"	21.0 lbs.
1¼" Pre-insulated Wirsbo hePEX with ½" insulation, 100-ft. coil	A6141250	2.56"	12.1 Btu/hr/ft	3.3	44" x 9"	30.0 lbs.
1½" Pre-insulated Wirsbo hePEX with ½" insulation, 100-ft. coil	A6141500	2.81"	13.6 Btu/hr/ft	3.2	46" x 9"	42.0 lbs.
2" Pre-insulated Wirsbo hePEX with ½" insulation, 100-ft. coil	A6142000	3.31"	16.5 Btu/hr/ft	3.1	46" x 13.5"	65.0 lbs.
½" Pre-insulated Wirsbo hePEX with 1" insulation, 100-ft. coil	A6150500	2.59"	6.3 Btu/hr/ft	7.5	45" x 9"	11.0 lbs.
¾" Pre-insulated Wirsbo hePEX with 1" insulation, 100-ft. coil	A6150750	3.08"	7.1 Btu/hr/ft	7.9	43" x 13.5"	22.0 lbs.
1" Pre-insulated Wirsbo hePEX with 1" insulation, 100-ft. coil	A6151000	3.09"	8.8 Btu/hr/ft	6.4	45" x 13.5"	30.2 lbs.
1¼" Pre-insulated Wirsbo hePEX with 1" insulation, 100-ft. coil	A6151250	3.34"	10.0 Btu/hr/ft	6.1	52" x 9"	39.2 lbs.
1½" Pre-insulated Wirsbo hePEX with 1½" insulation, 75-ft. coil	A6161500	4.93"	7.0 Btu/hr/ft	11.2	54" x 13.5"	49.5 lbs.
2" Pre-insulated Wirsbo hePEX with 1½" insulation, 75-ft. coil	A6162000	5.27"	8.6 Btu/hr/ft	9.9	58" x 13.5"	74.3 lbs.
½" Pre-insulated Wirsbo hePEX with 1½" insulation, 100-ft. coil	A6160500	3.77"	4.0 Btu/hr/ft	13.8	58" x 9"	22.0 lbs.
¾" Pre-insulated Wirsbo hePEX with 1½" insulation, 100-ft. coil	A6160750	4.02"	4.9 Btu/hr/ft	12.5	58" x 13.5"	29.0 lbs.
1" Pre-insulated Wirsbo hePEX with 1½" insulation, 100-ft. coil	A6161000	4.27"	5.7 Btu/hr/ft	11.6	57" x 13.5"	37.5 lbs.
1¼" Pre-insulated Wirsbo hePEX with 1½" insulation, 100-ft. coil	A6161250	4.52"	6.4 Btu/hr/ft	11.0	58" x 13.5"	46.3 lbs.
1½" Pre-insulated Wirsbo hePEX with 2" insulation, 50-ft. coil	A6171500	5.88"	5.2 Btu/hr/ft	15.4	58" x 13.5"	56.3 lbs.
2" Pre-insulated Wirsbo hePEX with 2" insulation, 50-ft. coil	A6172000	6.22"	6.4 Btu/hr/ft	13.7	59" x 13.5"	81.3 lbs.

Installation

Use ProPEX®1 fittings to connect the piping. Refer to the ProPEX Connections Instructional Guide or the Uponor Radiant Floor Heating Installation Handbook for additional information.

Standards

CSA B137.5; ASTM F876; ASTM F877; ASTM F1960; ASTM F2023; DIN 4726/9; NSF/ANSI 14; NSF/ANSI 61

Codes

HUD; ICC; IMC; UMC; IPC; UPC; NSPC; IRC; NBC of Canada; NPC of Canada; UFGS

Listings

CCMC; cNSFus-rfh; cNSFus-pw; CSA; IAPMO; ICC-ES; ITS; PPI TR-4; UL

Related applications

Radiant heating and cooling systems
Hydronic heating and cooling systems
Snow and ice melting systems
Permafrost protection systems
Turf conditioning systems

Contact information

Uponor Inc.
5925 148th Street West
Apple Valley, MN 55124 USA
Phone: 800.321.4739
Fax: 952.891.2008
uponorpro.com

Uponor Ltd.
6510 Kennedy Road
Mississauga, ON L5N 1W1 CANADA
Phone: 888.994.7726
Fax: 800.638.9517
uponorpro.com

¹ProPEX® is a registered trademark of Uponor Inc. ProPEX™ is a trademark of Uponor Ltd.

ProPEX® Ring

Submittal information
Revision I: Nov. 1, 2018

Project information

Job name:

Location:

Part no. ordered:

Engineer:

Date submitted:

Contractor:

Submitted by:

Manufacturer's representative:

Approved by:

Technical data

Material: Engel-method crosslinked polyethylene (PEX-a)

Density: 926 to 940 kg/m³

Degree of crosslinking: 70% to 89%

Product information and application use

Uponor ProPEX® rings are required to make a proper ProPEX connection.¹ The ProPEX ring with stop includes a leading edge chamfer and stop edge.



✓ Description	Part number	Length	I.D.	O.D.	Weight
ProPEX Ring, 3/8"	Q4690302	0.54"	0.49"	0.74"	0.005 lbs.
ProPEX Ring with Stop, 1/2"	Q4690512	0.63"	0.63"	0.87"	0.006 lbs.
ProPEX Ring with Stop, 5/8"	Q4690625	0.79"	0.75"	1.00"	0.008 lbs.
ProPEX Ring with Stop, 3/4"	Q4690756	0.87"	0.88"	1.13"	0.012 lbs.
ProPEX Ring with Stop, 1"	Q4691000	1.10"	1.13"	1.42"	0.020 lbs.
ProPEX Ring with Stop, 1 1/4"	Q4691250	1.35"	1.38"	1.66"	0.030 lbs.
ProPEX Ring with Stop, 1 1/2"	Q4691500	1.61"	1.63"	1.91"	0.040 lbs.
ProPEX Ring with Stop, 2"	Q4692000	1.97"	2.14"	2.61"	0.133 lbs.
ProPEX Ring with Stop, 2 1/2"	Q4692500	2.61"	2.66"	3.25"	0.230 lbs.
ProPEX Ring with Stop, 3"	Q4693000	3.12"	3.16"	3.87"	0.400 lbs.

Installation

Square cut the Uponor PEX tubing. Remove excess material. Slide the ProPEX ring over the end of the tubing (maximum 1/8" over-hang for rings without stop). When using the ProPEX ring with stop, slide the ring on the tubing with the chamfered edge first until the end of the tubing contacts the stop edge. Expand the tubing and ring. If using the ProPEX Manual Expander Tool, rotate the tool a quarter turn after each expansion to prevent the formation of grooves. Remove the expansion tool and fully seat the tubing and ring against the shoulder of the fitting. Make ProPEX connections at temperatures above 5°F/-15°C. For more information, refer to the Uponor ProPEX Connections Instructional Guide.

Listings²

cNSFus-fs³; cNSFus-pw; cNSFus-rfh; cQAlus; UL; CSA; PPI TR-4; ICC-ES; IAPMO; BMEC; CCMC; cQAlus P321

Codes

ICC; IPC; IMC; IRC; UPC; UMC; NSPC; HUD; UFGS; NPC of Canada; NBC of Canada

Standards

ANSI/NSF 14; ANSI/NSF 61; ASTM F876; ASTM F877; ASTM F1960; ASTM F2023; ASTM E84; CAN/ULC S102.2; ASTM E119/UL 263; CAN/ULC S101; ASTM E814/ULC S115; CSA B137.5; CSA B214; UL 1821³; ULC/ORD-C199P³

Related applications

PEX-a plumbing systems
AquaSAFE fire safety systems
Hydronic radiant heating and cooling systems
Snow melting systems
Turf conditioning systems
Permafrost prevention systems

Contact information

Uponor Inc.
5925 148th Street West
Apple Valley, MN 55124 USA
Phone: 800.321.4739
Fax: 952.891.2008
uponorpro.com

Uponor Ltd.
6510 Kennedy Road
Mississauga, ON L5T 2X4 CANADA
Phone: 888.994.7726
Fax: 800.638.9517
uponorpro.com

¹ProPEX® is a registered trademark of Uponor, Inc. ProPEX™ is a trademark of Uponor Ltd.

²Visit listing agency's website for complete information; ³For 1/2", 3/4", 1", 1 1/4", 1 1/2" and 2" tubing only