

ProPEX® lead-free (LF) brass copper press fitting adapter

Submittal information
Revision D: Oct. 4, 2018

Project information

Job name:

Location: _____ Part no. ordered: _____

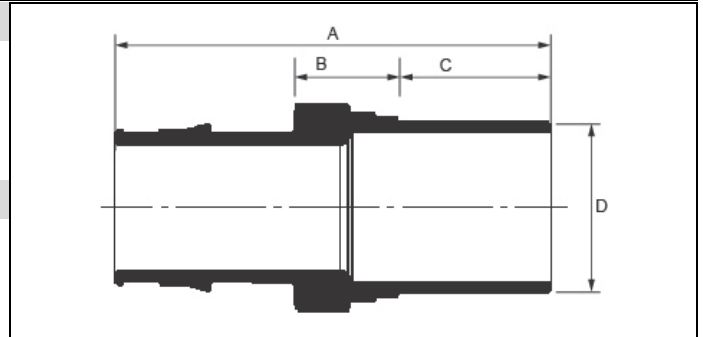
Engineer: _____ Date submitted: _____

Contractor: _____ Submitted by: _____

Manufacturer's representative: _____ Approved by: _____

Technical data

Material: UNS C27453
Max. temperature/pressure: 200°F (93°C) at 80 psi (551 kPa)
180°F (82°C) at 100 psi (689 kPa)
73.4°F (23°C) at 160 psi (1,103 kPa)



Product Information and application use

Uponor ProPEX®¹ lead-free (LF) brass copper press fitting adapters transition copper fittings to Uponor PEX. The adapters are approved for use in hot and cold potable water and hydronic heating and cooling systems.

✓	Description	Part number	A	B	C	D	Weight	Equivalent length (ft.)	Cv
	ProPEX LF Brass Copper Press Fitting Adapter, ½" PEX x ½" Copper	LFP4505050	2"	9/16"	3/4"	5/8"	0.10 lbs.	2.1	5.6
	ProPEX LF Brass Copper Press Fitting Adapter, ¾" PEX x ¾" Copper	LFP4507575	2-3/8"	5/8"	7/8"	7/8"	0.16 lbs.	2.4	12.8
	ProPEX LF Brass Copper Press Fitting Adapter, 1" PEX x 1" Copper	LFP4501010	2-7/8"	11/16"	1"	1-1/8"	0.26 lbs.	3.1	21.4
	ProPEX LF Brass Copper Press Fitting Adapter, 1¼" PEX x 1¼" Copper	LFP4501313	3-5/16"	3/4"	1-1/16"	1-3/8"	0.44 lbs.	4.7	31.5
	ProPEX LF Brass Copper Press Fitting Adapter, 1½" PEX x 1½" Copper	LFP4501515	3-7/8"	3/4"	1-7/16"	1-5/8"	0.62 lbs.	4.8	43.5
	ProPEX LF Brass Copper Press Fitting Adapter, 2" PEX x 2" Copper	LFP4502020	4-5/8"	15/16"	1-9/16"	2-1/8"	1.30 lbs.	5.6	81.5
	ProPEX LF Brass Copper Press Fitting Adapter, 2½" PEX x 2½" Copper	LFP4502525	5-7/8"	1-3/8"	1-5/8"	2-5/8"	2.66 lbs.	6.9	137.0
	ProPEX LF Brass Copper Press Fitting Adapter, 3" PEX x 3" Copper	LFP4503030	6-11/16"	1-1/2"	1-13/16"	3-1/8"	3.58 lbs.	9.4	187.1

Installation

Use ProPEX tool and ProPEX rings (sold separately) for connecting the PEX pipe. For more information, refer to the Uponor Piping Pocket Guide. Follow press tool manufacturers' install instructions for the male or female press end of the adapter.

Standards	Codes	Listings
ASTM F1960; ASTM F877; CSA B137.5; ASME B16.51; ICC-ES LC1002; IAPMO PS 117	IBC; IRC; IPC; IMC; UPC; UMC; NSPC; NPC of Canada	NSF 14; NSF 61; NSF 372; ICC-PMG-1006; ICC-PMG-1412; HUD-MR 1269

Related applications	Contact information
PEX-a plumbing systems Hydronic heating and cooling systems Snow and ice melting systems Permafrost protection systems	<p>Uponor Inc. 5925 148th Street West Apple Valley, MN 55124 USA T 800.321.4739 F 952.891.2008 uponorpro.com</p> <p>Uponor Ltd. 6510 Kennedy Road Mississauga, ON L5T 2X4 CANADA T 888.994.7726 F 800.638.9517 uponorpro.com</p>

¹ProPEX® is a registered trademark of Uponor, Inc. ProPEX™ is a trademark of Uponor Ltd.

ProPEX® lead-free (LF) brass copper press adapter

Submittal information

Revision C: Sept. 6, 2018

Project information

Job name:

Location: _____ Part no. ordered: _____

Engineer: _____ Date submitted: _____

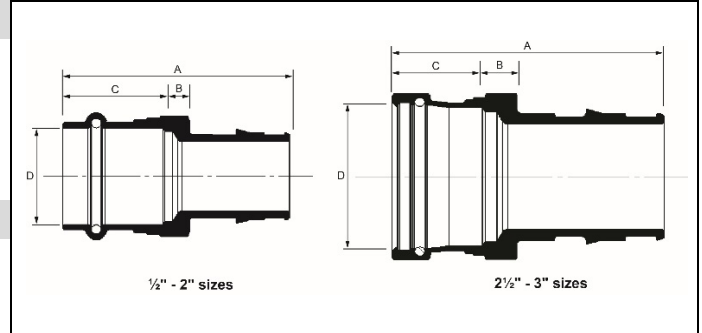
Contractor: _____ Submitted by: _____

Manufacturer's representative: _____ Approved by: _____

Technical data

Material: UNS C27453
 O-ring gasket: EPDM

Max. temperature/pressure: 200°F (93°C) at 80 psi (551 kPa)
 180°F (82°C) at 100 psi (689 kPa)
 73.4°F (23°C) at 160 psi (1,103 kPa)



Product information and application use

Uponor ProPEX®¹ lead-free (LF) brass copper press adapters transition copper pipe to Uponor PEX. The adapters are approved for use in hot and cold potable water and hydronic heating and cooling systems.

✓	Description	Part number	A	B	C	D	Weight	Equivalent length (ft.)	Cv
	ProPEX LF Brass Copper Press Adapter, 1/2" PEX x 1/2" Copper	LFP4515050	2-1/16"	7/16"	7/8"	5/8"	0.10 lbs.	2.0	5.7
	ProPEX LF Brass Copper Press Adapter, 3/4" PEX x 3/4" Copper	LFP4517575	2-3/8"	9/16"	7/8"	7/8"	0.18 lbs.	2.1	13.4
	ProPEX LF Brass Copper Press Adapter, 1" PEX x 1" Copper	LFP4511010	2-11/16"	5/16"	1-3/16"	1-1/8"	0.28 lbs.	2.4	22.1
	ProPEX LF Brass Copper Press Adapter, 1 1/4" PEX x 1 1/4" Copper	LFP4511313	3-1/16"	9/16"	1"	1-3/8"	0.48 lbs.	3.9	34.0
	ProPEX LF Brass Copper Press Adapter, 1 1/2" PEX x 1 1/2" Copper	LFP4511515	3-5/8"	9/16"	1-5/16"	1-5/8"	0.74 lbs.	4.3	45.5
	ProPEX LF Brass Copper Press Adapter, 2" PEX x 2" Copper	LFP4512020	4-5/8"	1/2"	2"	2-1/8"	1.30 lbs.	5.3	83.6
	ProPEX LF Brass Copper Press Adapter, 2 1/2" PEX x 2 1/2" Copper	LFP4512525	5-1/4"	11/16"	1-3/4"	2-5/8"	2.38 lbs.	6.9	136.2
	ProPEX LF Brass Copper Press Adapter, 3" PEX x 3" Copper	LFP4513030	6-1/8"	15/16"	1-15/16"	3-1/8"	3.42 lbs.	8.8	189.1

Installation

Use ProPEX tool and ProPEX rings (sold separately) for connecting the PEX pipe. For more information, refer to the Uponor Piping Pocket Guide. Follow press tool manufacturers' install instructions for the male or female press end of the adapter.

Standards	Codes	Listings
ASTM F1960; ASTM F877; CSA B137.5; ASME B16.51; ICC-ES LC1002; IAPMO PS 117	IBC; IRC; IPC; IMC; UPC; UMC; NSPC; NPC of Canada	NSF 14; NSF 61; NSF 372; ICC-PMG-1006; ICC-PMG-1412; HUD-MR 1269

Related applications	Contact information
PEX-a plumbing systems Hydronic heating and cooling systems Snow and ice melting systems Permafrost protection systems	<p>Uponor Inc. 5925 148th Street West Apple Valley, MN 55124 USA T 800.321.4739 F 952.891.2008 uponorpro.com</p> <p>Uponor Ltd. 6510 Kennedy Road Mississauga, ON L5T 2X4 CANADA T 888.994.7726 F 800.638.9517 uponorpro.com</p>

¹ProPEX® is a registered trademark of Uponor, Inc. ProPEX™ is a trademark of Uponor Ltd.

ProPEX® Lead-free (LF) Brass Male Threaded Adapter

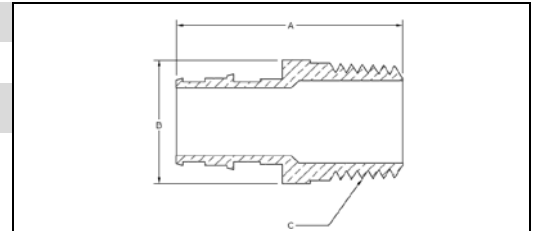
Submittal Information
Revision F: Feb. 22, 2018

Project information

Job name:	
Location:	Part no. ordered:
Engineer:	Date submitted:
Contractor:	Submitted by:
Manufacturer's representative:	Approved by:

Technical data

Material: C69300 Brass



Product information and application use

ProPEX® Lead-free (LF) Male Threaded Adapter connects Uponor PEX tubing to male NPT threads for use in hot and cold domestic potable water systems, residential fire safety and hydronic radiant heating and cooling systems.¹ These adapters are safe for direct burial in soil.

✓ Description	Part number	A	B	C	Weight	Equiv. length (ft.)	Cv
ProPEX LF Brass Male Threaded Adapter, 3/8" PEX x 1/2" NPT	LF4523850	1.62"	0.875" HEX	0.50" NPT	0.11 lbs.	N/A	N/A
ProPEX LF Brass Male Threaded Adapter, 1/2" PEX x 1/2" NPT	LF4525050	1.73"	0.875" HEX	0.50" NPT	0.12 lbs.	2.3	5
ProPEX LF Brass Male Threaded Adapter, 1/2" PEX x 3/4" NPT	LF4525075	1.78"	1.125" HEX	0.75" NPT	0.20 lbs.	1.8	6.2
ProPEX LF Brass Male Threaded Adapter, 3/4" PEX x 3/4" NPT*	LF4527575	2.02"	1.125" HEX	0.75" NPT	0.20 lbs.	2.7	11.3
ProPEX LF Brass Male Threaded Adapter, 3/4" PEX x 1" NPT	LF4527510	2.22"	1.375" HEX	1.00" NPT	0.32 lbs.	3.4	10.9
ProPEX LF Brass Male Threaded Adapter, 1" PEX x 3/4" NPT	LF4521075	2.25"	1.250" HEX	0.75" NPT	0.26 lbs.	1.2	17.8
ProPEX LF Brass Male Threaded Adapter, 1" PEX x 1" NPT*	LF4521010	2.46"	1.375" HEX	1.00" NPT	0.38 lbs.	3.2	19.9
ProPEX LF Brass Male Threaded Adapter, 1 1/4" PEX x 1 1/4" NPT*	LF4521313	2.72"	1.750" HEX	1.25" NPT	0.62 lbs.	4.2	32.4
ProPEX LF Brass Male Threaded Adapter, 1 1/2" PEX x 1 1/2" NPT	LF4521515	3.00"	2.250" HEX	1.50" NPT	0.80 lbs.	5.5	39.3
ProPEX LF Brass Male Threaded Adapter, 2" PEX x 2" NPT	LF4522020	3.86"	2.375" HEX	2.00" NPT	1.45 lbs.	5.6	78.6
ProPEX LF Brass Male Threaded Adapter, 2 1/2" PEX x 2 1/2" NPT	LF4522525	4.83"	3.25" HEX	2.50" NPT	3.10 lbs.	1.5	227.3
ProPEX LF Brass Male Threaded Adapter, 3" PEX x 3" NPT	LF4523030	5.53"	3.75" HEX	3.00" NPT	4.90 lbs.	9.1	187.5

Installation

Use the appropriate ProPEX Ring for PEX-a tubing. Refer to the Uponor Professional Plumbing Installation Guide, AquaSAFE™ Residential Fire Sprinkler Installation Guide or Uponor Radiant Installation Handbook for additional information.

Standards

ASTM F877; ASTM F1960; CAN/CSA B137.5; NSF 14; NSF 61; NSF 372

Codes

IBC; IMC; IPC; IRC; NPC of Canada; NSPC; UMC; UPC

Listings

cNSFus-pw-G; cNSFus-rfh; HUD MR 1269; ICC-ES-PMG-1006; ICC-ES-PMG-1012; *UL 1821; *ULC/ORD-C199P; U.P. Code

Related applications

PEX-a plumbing systems
Radiant heating and cooling systems
Snow and ice melting systems
Permafrost protection systems
Turf conditioning systems
AquaSAFE fire safety systems

Contact information

Uponor Inc. 5925 148 th Street West Apple Valley, MN 55124 USA Phone: 800.321.4739 Fax: 952.891.1409 uponorpro.com	Uponor Ltd. 6510 Kennedy Road Mississauga, ON L5T 2X4 CANADA Phone: 888.994.7726 Fax: 800.638.9517 uponorpro.com
--	---

¹ProPEX® is a registered trademark of Uponor Inc. ProPEX™ is a trademark of Uponor Ltd.

ProPEX® Lead-free (LF) Brass Sweat Adapter

Submittal information
Revision D: Dec. 6, 2016

Project information

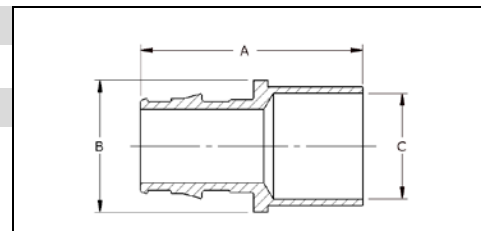
Job name:	
Location:	Part no. ordered:
Engineer:	Date submitted:
Contractor:	Submitted by:
Manufacturer's representative:	Approved by:

Technical data

Material: C69300 brass

Product information and application use

ProPEX® lead-free (LF) brass sweat adapters transition Uponor PEX tubing to copper pipe for use in hot and cold domestic potable water systems, residential fire safety and hydronic radiant heating and cooling systems.¹ These adapters are safe for direct burial in soil.



✓ Description	Part number	A	B	C	Weight	Equiv. length (ft.)	Cv
ProPEX LF Brass Sweat Adapter, 3/8" PEX x 1/2" Copper	LF4513850	1.32"	0.721"	0.625" CU	0.05 lbs.	N/A	N/A
ProPEX LF Brass Sweat Adapter, 1/2" PEX x 1/2" Copper*	LF4515050	1.44"	0.750"	0.625" CU	0.06 lbs.	2.0	5.7
ProPEX LF Brass Sweat Adapter, 1/2" PEX x 3/4" Copper	LF4515075	1.63"	0.989"	0.875" CU	0.10 lbs.	2.7	5.1
ProPEX LF Brass Sweat Adapter, 3/4" PEX x 1/2" Copper	LF4517550	1.67"	1.070"	0.625" CU	0.10 lbs.	1.4	8.8
ProPEX LF Brass Sweat Adapter, 3/4" PEX x 3/4" Copper*	LF4517575	2.04"	1.070"	0.875" CU	0.12 lbs.	2.1	13.4
ProPEX LF Brass Sweat Adapter, 3/4" PEX x 1" Copper	LF4517510	2.17"	1.258"	1.125" CU	0.17 lbs.	3.7	10.9
ProPEX LF Brass Sweat Adapter, 1" PEX x 1" Copper*	LF4511010	2.40"	1.345"	1.125" CU	0.21 lbs.	2.4	22.1
ProPEX LF Brass Sweat Adapter, 1 1/4" PEX x 1 1/4" Copper*	LF4511313	2.63"	1.640"	1.375" CU	0.35 lbs.	3.9	34.0
ProPEX LF Brass Sweat Adapter, 1 1/2" PEX x 1 1/2" Copper*	LF4511515	2.75"	1.875"	1.625" CU	0.50 lbs.	4.3	45.5
ProPEX LF Brass Sweat Adapter, 2" PEX x 2" Copper*	LF4512020	3.53"	3.000"	2.125" CU	1.00 lbs.	5.3	83.6
ProPEX LF Brass Sweat Adapter, 2 1/2" PEX x 2 1/2" Copper	LF4512525	4.60"	3.600"	2.625" CU	1.90 lbs.	6.9	136.2
ProPEX LF Brass Sweat Adapter, 3" PEX x 3" Copper	LF4513030	5.30"	4.200"	3.125" CU	2.85 lbs.	8.8	189.1

Installation

Use the appropriate Uponor ProPEX rings for the tubing (sold separately). Do not solder within 18" of ProPEX fittings. Refer to the AquaPEX® Professional Plumbing Installation Guide, Radiant Floor Heating Installation Handbook or AquaSAFE™ Residential Fire Sprinkler Installation Guide for additional information.

Standards

ASTM F877; ASTM F1960; CSA B137.5; NSF-14; NSF-61; NSF-372; *UL-1821

Codes

IBC; IRC; IPC; IMC; UPC; UMC; USEHC; NSPC; NPC of Canada

Listings

ANSI/NSF-14; ANSI/NSF-61; cNSF@us-pw-G; cNSFus-pw-G; U.P. Code; IAPMO-ER-0253; ICC-ES-PMG-1006; ICC-ES-PMG-1012; HUD-MR-1269; cQAIus P321; *cNSF@us-pw-fs-G; *UL-1821; *ULC/ORD-C199P

Related applications

PEX plumbing systems
Radiant heating and cooling systems
Snow and ice melting systems
Permafrost protection systems
Turf conditioning systems
AquaSAFE fire safety systems

Contact information

Uponor Inc.
5925 148th Street West
Apple Valley, MN 55124 USA
T 800.321.4739
F 952.891.2008
uponorpro.com

Uponor Ltd.
2000 Argenta Rd., Plaza 1, Ste. 200
Mississauga, ON L5N 1W1 CANADA
T 888.994.7726
F 800.638.9517
uponorpro.com

¹ProPEX® is a registered trademark of Uponor, Inc. ProPEX™ is a trademark of Uponor Ltd.

ProPEX® Lead-free (LF) Brass Fitting Adapter

Submittal information

Revision B: Dec. 6, 2016

Project information

Job name:

Location:

Part no. ordered:

Engineer:

Date submitted:

Contractor:

Submitted by:

Manufacturer's representative:

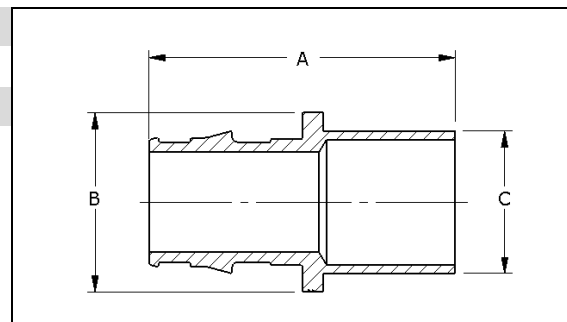
Approved by:

Technical data

Material: C69300 brass

Product information and application use

ProPEX® lead-free (LF) brass fitting adapters transition PEX tubing to copper fittings.¹ These adapters are approved for use in hot and cold domestic potable water systems and hydronic radiant heating systems. One end of the adapter is manufactured with an Uponor ProPEX fitting for connections to Wirsbo hePEX™ tubing or Uponor AquaPEX® tubing. These adapters are safe for direct burial in soil.



✓	Description	Part number	A	B	C	Weight
	ProPEX LF Brass Fitting Adapter, ½" PEX x ½" Copper	LF4505050	1.39"	0.740"	0.625" CU	0.06 lbs.
	ProPEX LF Brass Fitting Adapter, ½" PEX x ¾" Copper	LF4505075	1.64"	0.916"	0.875" CU	0.10 lbs.
	ProPEX LF Brass Fitting Adapter, ¾" PEX x ½" Copper	LF4507550	1.63"	1.125"	0.625" CU	0.13 lbs.
	ProPEX LF Brass Fitting Adapter, ¾" PEX x ¾" Copper	LF4507575	1.88"	1.070"	0.875" CU	0.12 lbs.
	ProPEX LF Brass Fitting Adapter, ¾" PEX x 1" Copper	LF4507510	2.05"	1.187"	1.125" CU	0.18 lbs.
	ProPEX LF Brass Fitting Adapter, 1" PEX x 1" Copper	LF4501010	2.28"	1.345"	1.125" CU	0.19 lbs.
	ProPEX LF Brass Fitting Adapter, 1¼" PEX x 1¼" Copper	LF4501313	2.60"	1.640"	1.375" CU	0.40 lbs.
	ProPEX LF Brass Fitting Adapter, 1½" PEX x 1½" Copper	LF4501515	3.00"	1.750"	1.625" CU	0.50 lbs.
	ProPEX LF Brass Fitting Adapter, 2" PEX x 2" Copper	LF4502020	3.73"	2.600"	2.125" CU	0.80 lbs.

Installation

ProPEX tool and ProPEX rings (sold separately) are required for connecting the PEX tubing. Do not solder within 18" of ProPEX fittings. For more information, refer to the AquaPEX Professional Plumbing Installation Guide or Radiant Floor Heating Installation Handbook.

Standards

ASTM F877; ASTM F1960; CSA B137.5; NSF-14; NSF-61; NSF-372;

Codes

IBC; IRC; IPC; IMC; UPC; UMC; USEHC; NSPC; NPC of Canada

Listings

ANSI/NSF-14; ANSI/NSF-61; cNSF@us-pw-G; cNSFus-pw-G; U.P. Code; IAPMO-ER-0253; ICC-ES-PMG-1006; ICC-ES-PMG-1012; HUD-MR-1269; cQAIus P321

Related applications

PEX plumbing systems
Radiant heating and cooling systems
Snow and ice melting systems
Permafrost protection systems
Turf conditioning systems

Contact information

Uponor Inc.
5925 148th Street West
Apple Valley, MN 55124 USA
T 800.321.4739
F 952.891.2008
uponorpro.com

Uponor Ltd.
2000 Argentia Rd., Plaza 1, Ste. 200
Mississauga, ON L5N 1W1 CANADA
T 888.994.7726
F 800.638.9517
uponorpro.com

¹ProPEX® is a registered trademark of Uponor, Inc. ProPEX™ is a trademark of Uponor Ltd.

ProPEX® Lead-free (LF) Brass IPS Roll-groove Fitting Adapter



Submittal information

Revision B: Nov. 10, 2016

Project information

Job name:

Location: _____ Part no. ordered: _____

Engineer: _____ Date submitted: _____

Contractor: _____ Submitted by: _____

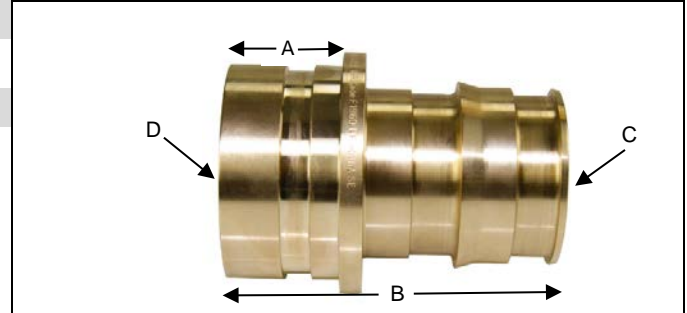
Manufacturer's representative: _____ Approved by: _____

Technical data

Material: C69300 brass

Product information and application use

ProPEX® lead-free (LF) brass iron pipe size (IPS) roll-groove fitting adapters provide a direct connection to roll-groove connections designed to meet CSA B242-05. These fittings are IPS on the roll-groove connection side.



✓ Description	Part number	A	B	C	D	Cv1 ¹	Cv2 ²	EL1 ³	EL2 ⁴	Weight
ProPEX LF Brass Roll-groove Fitting, 2" PEX LF Brass x 2" IPS Roll Groove Adapter	LFV2972020	1.25"	3.65"	2" PEX	2" IPS	79.7	114.5	5.91	2.34	1.20 lbs.
ProPEX LF Brass Roll-groove Fitting, 2" PEX LF Brass x 2½" IPS Roll Groove Adapter	LFV2972025	1.25"	3.65"	2" PEX	2½" IPS	71.6	124.0	7.59	1.71	1.38 lbs.
ProPEX LF Brass Roll-groove Fitting, 2½" PEX LF Brass x 2" IPS Roll Groove Adapter	LFV2972520	1.25"	4.33"	2½" PEX	2" IPS	195.6	239.5	2.33	1.16	1.84 lbs.
ProPEX LF Brass Roll-groove Fitting, 2½" PEX LF Brass x 2½" IPS Roll Groove Adapter	LFV2972525	1.25"	4.33"	2½" PEX	2½" IPS	130.2	202.0	7.63	2.37	1.92 lbs.
ProPEX LF Brass Roll-groove Fitting, 2½" " PEX LF Brass x 3" IPS Roll Groove Adapter	LFV2972530	1.25"	4.33"	2½" PEX	3" IPS	114.9	199.8	10.20	2.39	2.18 lbs.
ProPEX LF Brass Roll-groove Fitting, 3" PEX LF Brass x 2½" IPS Roll Groove Adapter	LFV2973025	1.25"	4.88"	3" PEX	2½" IPS	250.7	334.4	4.15	1.38	2.76 lbs.
ProPEX LF Brass Roll-groove Fitting, 3" PEX LF Brass x 3" IPS Roll Groove Adapter	LFV2973030	1.25"	4.88"	3" PEX	3" IPS	177.4	282.4	9.98	2.77	2.76 lbs.

Installation

ProPEX tool and ProPEX rings (sold separately) are required for connecting the PEX tubing. For more information, refer to the Uponor AquaPEX® professional plumbing installation guide. For making roll-groove connections, follow the roll-groove fitting manufacturer's installation instructions.

Standards

CAN/CSA B137.5; ASTM F877; ASTM F1960

Codes

IPC; UPC; NSPC; NPC of Canada

Listings

ANSI/NSF 14- and 61- certified; U.P. Code, Annex G

Related applications

PEX-a Plumbing Systems
Hydronic Radiant Heating and Cooling Systems
Snow and Ice Melting Systems
Permafrost Protection Systems
Turf Conditioning Systems

Contact information

Uponor Inc.
5925 148th Street West
Apple Valley, MN 55124 USA
T 800.321.4739
F 952.891.2008
uponorpro.com

Uponor Ltd.
2000 Argentia Rd., Plaza 1, Ste. 200
Mississauga, ON L5N 1W1 CANADA
T 888.994.7726
F 800.638.9517
uponorpro.com

¹Cv1 = Metal to PEX

²Cv2 = PEX to PEX

³Equivalent length1 = Metal to PEX at 8 ft./sec.

⁴Equivalent length2 = PEX to PEX at 8 ft./sec.

ProPEX® Lead-free (LF) Brass CTS Roll-groove Fitting Adapter

Submittal information

Revision A: Sept. 22, 2016

Project information

Job name:

Location:

Part no. ordered:

Engineer:

Date submitted:

Contractor:

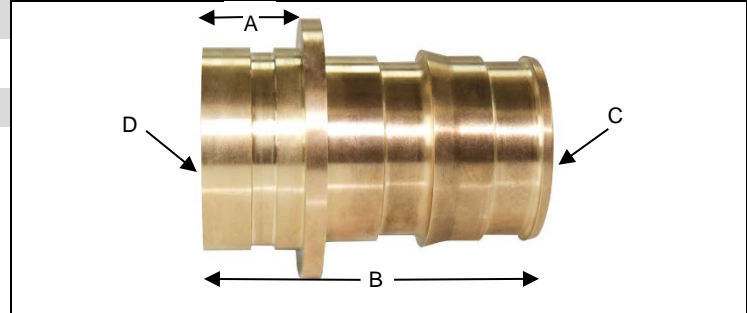
Submitted by:

Manufacturer's representative:

Approved by:

Technical data

Material: C69300 brass



Product information and application use

ProPEX® lead-free (LF) brass copper tube size (CTS) roll-groove fitting adapters provide a direct connection to roll-groove connections designed to meet CSA B242-05. These fittings are CTS size on the roll-groove connection side.

✓ Description	Part number	A	B	C	D	Cv1 ¹	Cv2 ²	EL1 ³	EL2 ⁴	Weight
ProPEX LF Brass Roll-groove Fitting, 2" PEX LF Brass x 2" CTS Roll Groove Adapter	LFV2962020	1.25"	3.65"	2" PEX	2" CTS	86.1	141.4	4.88	0.99	1.12 lbs.
ProPEX LF Brass Roll-groove Fitting, 2" PEX LF Brass x 2½" CTS Roll Groove Adapter	LFV2962025	1.25"	3.65"	2" PEX	2½" CTS	73.2	128.3	7.26	1.60	1.24 lbs.
ProPEX LF Brass Roll-groove Fitting, 2½" PEX LF Brass x 2½" CTS Roll Groove Adapter	LFV2962525	1.25"	4.33"	2½" PEX	2½" CTS	138.7	222.7	6.49	1.52	1.86 lbs.
ProPEX LF Brass Roll-groove Fitting, 3" PEX LF Brass x 3" CTS Roll Groove Adapter	LFV2963030	1.25"	4.88"	3" PEX	3" CTS	192.3	338.3	8.30	1.55	2.66 lbs.

Installation

ProPEX tool and ProPEX rings (sold separately) are required for connecting the PEX tubing. For more information, refer to the Uponor AquaPEX® professional plumbing installation guide. For making roll-groove connections, follow the roll-groove fitting manufacturer's installation instructions.

Standards

CAN/CSA B137.5; ASTM F877; ASTM F1960

Codes

IPC; UPC; NSPC; NPC of Canada

Listings

ANSI/NSF 14- and 61- certified; U.P. Code, Annex G

Related applications

PEX-a Plumbing Systems
Hydronic Radiant Heating and Cooling Systems
Snow and Ice Melting Systems
Permafrost Protection Systems
Turf Conditioning Systems

Contact information

Uponor, Inc.
5925 148th Street West
Apple Valley, MN 55124 USA
Phone: 800.321.4739
Fax: 952.891.2008
www.uponorpro.com

Uponor Ltd.
2000 Argentia Rd., Plaza 1, Ste. 200
Mississauga, ON L5N 1W1 CANADA
Phone: 888.994.7726
Fax: 800.638.9517
www.uponorpro.com

¹Cv1 = Metal to PEX

²Cv2 = PEX to PEX

³Equivalent length1 = Metal to PEX at 8 ft./sec.

⁴Equivalent length2 = PEX to PEX at 8 ft./sec.

ProPEX® Lead-free (LF) Brass Flange Adapter Kit

Submittal Information

Revision A: Oct. 23, 2015

Project Information

Job Name:

Location:

Part No. Ordered:

Engineer:

Date Submitted:

Contractor:

Submitted By:

Manufacturer's Representative:

Approved By:

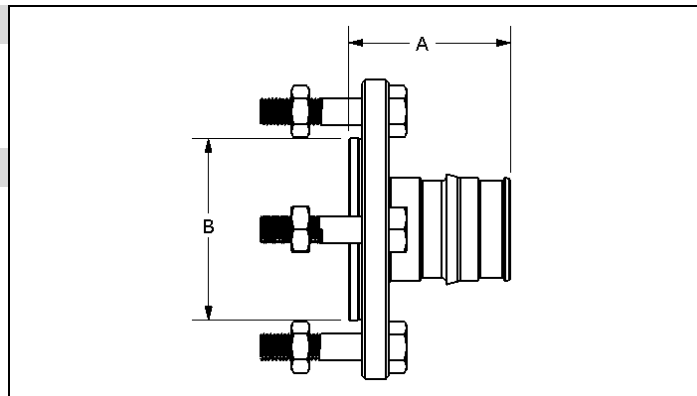
Technical Data

Material:

LF Brass Flange Adapter: C69300 Brass
Flange: Plate Steel

Product Information and Application Use

ProPEX® Lead-free (LF) Brass Flange Adapter Kit connects Uponor PEX tubing to any compatible flange.¹ Flanges conform to ANSI 16.5 150 Standard, are powder coated with an EPDM insulator adhered to the plate steel flange protruding inside of the steel flange to prevent contact with the LF brass flange adapter.



✓ Description	Part Number	A	B	Weight	Equivalent Length (ft.)	Cv
ProPEX LF Brass Flange Adapter Kit, 2½" PEX (150 lb.)	LF2982525	3.77"	4.25"	9.2 lbs.	7.6	131.5
ProPEX LF Brass Flange Adapter Kit, 3" PEX (150 lb.)	LF2983030	4.23"	5.00"	10.8 lbs.	2.2	311.0

Installation

ProPEX Expansion Tool and ProPEX Rings (sold separately) are required for connecting the PEX tubing. Refer to the Uponor AquaPEX® Professional Plumbing Installation Guide or Uponor Hydronic Piping Design Assistance Manual for additional information.

Standards

ASTM F877; ASTM F1960; CAN/CSA B137.5; NSF 14; NSF 61; NSF 372

Codes

IBC; IMC; IPC; IRC; NPC of Canada; NSPC; UMC; UPC

Listings

cNSFus-pw-G; cNSFus-rfh; ICC-ES-PMG-1006; ICC-ES-PMG-1012; U.P. Code

Related Applications

PEX-a Plumbing Systems
Hydronic Radiant Heating and Cooling Systems
Snow Melting Systems
Turf Conditioning Systems
Permafrost Prevention Systems

Contact Information

Uponor, Inc.
5925 148th Street West
Apple Valley, MN 55124 USA
Phone: 800.321.4739
Fax: 952.891.2008
www.uponorpro.com

Uponor Ltd.
2000 Argentia Road, Plaza 1, Suite 200
Mississauga, ON L5N 1W1 CANADA
Phone: 888.994.7726
Fax: 800.638.9517
www.uponorpro.com

¹ProPEX® is a registered trademark of Uponor, Inc. ProPEX™ is a trademark of Uponor Ltd.

ProPEX® Lead-free (LF) Brass CPVC Spigot Adapter Kit

Submittal Information

Revision A: Sept. 8, 2015

Project Information

Job Name:

Location:

Part No. Ordered:

Engineer:

Date Submitted:

Contractor:

Submitted By:

Manufacturer's Representative:

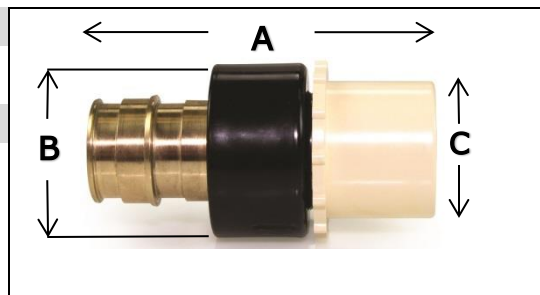
Approved By:

Technical Data

Material: C69300 Brass; ProTherm 4529 CPVC;
CPVC 4120 Bushing

Product Information and Application Use

ProPEX® Lead-free (LF) Brass CPVC Spigot Adapter Kit transitions Uponor PEX pipe to CPVC copper tube size (CTS) or iron pipe size (IPS) fittings for use in hot and cold domestic potable-water systems and hydronic radiant heating and cooling systems.¹



✓ Description	Part Number	A	B	C	Weight
ProPEX LF Brass x CPVC Spigot Adapter Kit, 1¼" PEX x 1¼" CPVC (IPS or CTS)	CP4501300	3.7"	2.11"	1.25"	0.60 lbs.
ProPEX LF Brass x CPVC Spigot Adapter Kit, 1½" PEX x 1½" CPVC (IPS or CTS)	CP4501500	4.2"	2.4"	1.50"	0.75 lbs.
ProPEX LF Brass x CPVC Spigot Adapter Kit, 2" PEX x 2" CPVC (IPS or CTS)	CP4502000	5.3"	3.00"	2.00"	1.40 lbs.

Installation

Use the appropriate Uponor ProPEX Ring for the tubing (sold separately). Refer to the Uponor AquaPEX® Professional Plumbing Installation Guide or Uponor Radiant Floor Heating Installation Handbook for additional information. Follow all CPVC instructions and guidelines for proper CPVC connections.

Standards

CAN/CSA B137.5; ASTM F877; ASTM F1960; ASTM D2846

Codes

IPC; UPC; NSPC; NPC of Canada

Listings

ICC PMG-1006; ANSI/NSF 14- and 61-certified; U.P. Code, NSF 372, cQAIus P321

Related Applications

PEX-a Plumbing Systems
Radiant Heating and Cooling Systems
Snow and Ice Melting Systems
Permafrost Protection Systems
Turf Conditioning Systems

Contact Information

Uponor Ltd.
2000 Argentia Rd., Plaza 1, Ste. 200
Mississauga, ON L5N 1W1 CANADA
Phone: 888.994.7726
Fax: 800.638.9517
www.uponorpro.com

¹ProPEX® is a registered trademark of Uponor, Inc. ProPEX™ is a trademark of Uponor Ltd.

ProPEX® Lead-free (LF) Brass CPVC Socket Adapter

Submittal Information
Revision B: Dec. 3, 2014

Project Information

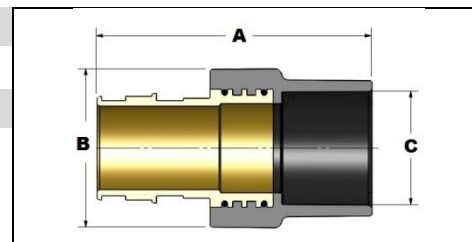
Job Name:	
Location:	Part No. Ordered:
Engineer:	Date Submitted:
Contractor:	Submitted By:
Manufacturer's Representative:	Approved By:

Technical Data

Material: C69300 Brass; ProTherm 4529 CPVC

Product Information and Application Use

ProPEX® Lead-free (LF) Brass CPVC Socket Adapters transition Uponor PEX tubing to CPVC copper tube size (CTS) pipe for use in hot and cold domestic potable water systems and hydronic radiant heating and cooling systems.¹



✓ Description	Part Number	A	B	C	Weight
ProPEX LF Brass x CPVC Socket Adapter, 1/4" PEX x 1/4" CPVC	CP4511313	3.7"	2.11"	1.25" CTS	0.62 lbs.
ProPEX LF Brass x CPVC Socket Adapter, 1/2" PEX x 1/2" CPVC	CP4511515	4.2"	2.4"	1.50" CTS	0.77 lbs.
ProPEX LF Brass x CPVC Socket Adapter, 2" PEX x 2" CPVC	CP4512020	5.2"	3.00"	2.00" CTS	1.42 lbs.

Installation

Use the appropriate Uponor ProPEX Ring for the tubing (sold separately). Refer to the Uponor AquaPEX® Professional Plumbing Installation Guide or Uponor Radiant Floor Heating Installation Handbook for additional information. Follow all CPVC instructions and guidelines for proper CPVC connections.

Standards

CAN/CSA B137.5; ASTM F877; ASTM F1960; ASTM D2846

Codes

IPC; UPC; NSPC; NPC of Canada

Listings

ICC PMG-1006; ANSI/NSF 14- and 61-certified; U.P. Code, NSF 372, cQAIus P321

Related Applications

PEX-a Plumbing Systems
Radiant Heating and Cooling Systems
Snow and Ice Melting Systems
Permafrost Protection Systems
Turf Conditioning Systems

Contact Information

Uponor, Inc.
5925 148th Street West
Apple Valley, MN 55124 USA
Phone: 800.321.4739
Fax: 952.891.1409
www.uponorpro.com

Uponor Ltd.
2000 Argentia Rd., Plaza 1, Ste. 200
Mississauga, ON L5N 1W1 CANADA
Phone: 888.994.7726
Fax: 800.638.9517
www.uponorpro.com

¹ProPEX® is a registered trademark of Uponor, Inc. ProPEX™ is a trademark of Uponor Ltd.

ProPEX® Lead-free (LF) Brass Female Threaded Adapter

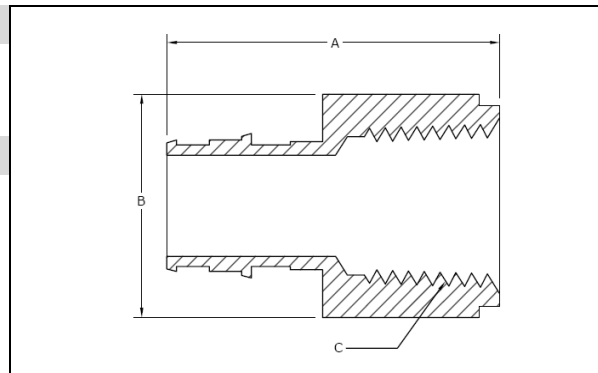
Submittal Information
Revision B: June 8, 2012

Project Information

Job Name:	
Location:	Part No. Ordered:
Engineer:	Date Submitted:
Contractor:	Submitted By:
Manufacturer's Representative:	Approved By:

Technical Data

Material: C69300 Brass



Product Information and Application Use

The ProPEX® Lead-free Brass Female Threaded Adapter connects Uponor PEX-a tubing to female NPT threads.¹ Use these fittings in hot and cold domestic potable water systems, residential fire sprinkler systems or hydronic radiant heating and cooling systems. One end of the adapter is manufactured with the Uponor ProPEX fitting for connections to Wirsbo hePEX™ tubing or Uponor AquaPEX® tubing. The other end of the adapter connects to copper. These adapters are safe for direct burial in soil.

✓ Description	Part Number	A	B	C	Weight
ProPEX LF Brass Female Threaded Adapter, ½" PEX x ½" NPT	LF4575050	1.57"	1" HEX	½" NPT	0.20 lbs.
ProPEX LF Brass Female Threaded Adapter, ½" PEX x ¾" NPT	LF4575075	1.75"	1 ⅜" HEX	¾" NPT	0.40 lbs.
ProPEX LF Brass Female Threaded Adapter, ¾" PEX x ¾" NPT*	LF4577575	1.87"	1 ⅜" HEX	¾" NPT	0.20 lbs.
ProPEX LF Brass Female Threaded Adapter, ¾" PEX x 1" NPT	LF4577510	2.21"	1 ½" HEX	1" NPT	0.40 lbs.
ProPEX LF Brass Female Threaded Adapter, 1" PEX x 1" NPT*	LF4571010	2.44"	1 ½" HEX	1" NPT	0.45 lbs.
ProPEX LF Brass Female Threaded Adapter, 1 ¼" PEX x 1 ¼" NPT*	LF4571313	2.57"	2" HEX	1 ¼" NPT	1.00 lbs.
ProPEX LF Brass Female Threaded Adapter, 1 ½" PEX x 1 ½" NPT*	LF4571515	2.75"	2 ½" HEX	1 ½" NPT	2.20 lbs.
ProPEX Brass Female Threaded Adapter, 2" PEX x 2" NPT*	LF4572020	3.53"	3" HEX	2" NPT	2.20 lbs.

Installation

Use the appropriate ProPEX Ring for PEX-a tubing. Refer to the Uponor AquaPEX® Professional Plumbing Installation Guide, AquaSAFE™ Residential Fire Sprinkler Installation Guide or Uponor Radiant Installation Handbook for additional information.

Standards

CAN/CSA B137.5; ASTM F877; ASTM F1960

Codes

IPC; UPC; NSPC; NPC of Canada

Listings

ANSI/NSF 14- and 61-certified; ICC ESR 1099; HUD MR 1269; U.P. Code, Annex G; *UL 1821; *ULC/ORD-C199P

Related Applications

PEX-a Plumbing Systems
Radiant Heating and Cooling Systems
Snow and Ice Melting Systems
Permafrost Protection Systems
Turf Conditioning Systems
AquaSAFE Fire Safety Systems

Contact Information

Uponor, Inc.
5925 148th Street West
Apple Valley, MN 55124 USA
Phone: (800) 321-4739
Fax: (952) 891-1409
www.uponorpro.com

Uponor Ltd.
2000 Argentia Rd., Plaza 1, Ste. 200
Mississauga, ON L5N 1W1 CANADA
Phone: (888) 994-7726
Fax: (800) 638-9517
www.uponorpro.com

¹ProPEX® is a registered trademark of Uponor, Inc. ProPEX™ is a trademark of Uponor Ltd.

ProPEX® Lead-free (LF) Brass Swivel Faucet Adapter, ½" PEX x ½" NPSM

Submittal Information

Revision A: Jan. 20, 2010

Project Information

Job Name:

Location:

Engineer:

Contractor:

Manufacturer's Representative:

Part No. Ordered:

Date Submitted:

Submitted By:

Approved By:

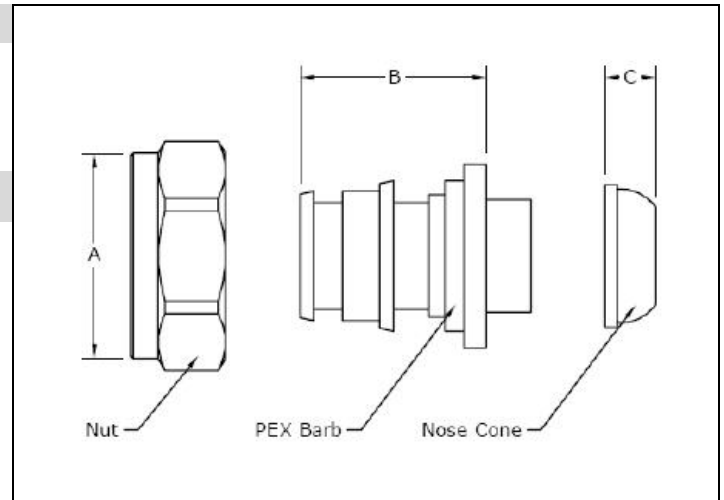
Technical Data

Material: C69300 Brass

Product Information and Application Use

The ProPEX® Lead-free Brass Swivel Faucet Adapter is available for use in hot and cold domestic potable water systems.¹ The end of the adapter is configured with the Uponor ProPEX Fitting for connections to Uponor AquaPEX® tubing.

The Swivel Faucet Adapter is ½" ProPEX by ½" National Pipe Straight Mechanical (NPSM) thread for connections to a male NPSM faucet.



✓ Description	Part Number	A	B	C	Weight
ProPEX LF Brass Swivel Faucet Adapter, ½" PEX x ½" NPSM	LF4655050	0.99"	0.98"	0.26"	0.10 lbs.

Installation

Use appropriate ProPEX Ring (sold separately) for connecting the tubing. Refer to the AquaPEX Professional Plumbing Installation Guide for additional information.

Standards

CAN/CSA B137.5; ASTM F877; ASTM F1960

Codes

IPC; UPC; NSPC; NPC of Canada

Listings

HUD MR 1269; ICC ESR 1099; ANSI/NSF 14- and 61-certified; IAPMO 3558; U.P. Code, Annex G

Related Applications

PEX-a Plumbing Systems

Contact Information

Uponor, Inc.
5925 148th Street West
Apple Valley, MN 55124 USA
Phone: (800) 321-4739
Fax: (952) 891-2008
www.uponor-usa.com

Uponor Ltd.
2000 Argentic Rd., Plaza 1, Ste. 200
Mississauga, ON L5N 1W1 CANADA
Phone: (888) 994-7726
Fax: (800) 638-9517
www.uponor.ca

¹ProPEX® is a registered trademark of Uponor, Inc. ProPEX™ is a trademark of Uponor Ltd.

ProPEX[®] Lead-free (LF) Water Heater Adapter

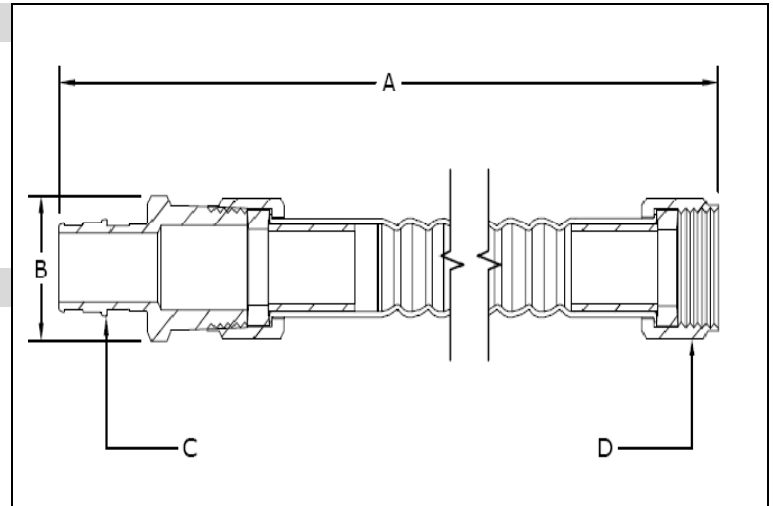
Submittal Information
Revision A: Jan. 27, 2010

Project Information

Job Name:	
Location:	Part No. Ordered:
Engineer:	Date Submitted:
Contractor:	Submitted By:
Manufacturer's Representative:	Approved By:

Technical Data

Material: Stainless Steel;
C69300 Brass



Product Information and Application Use

The Uponor ProPEX[®] Lead-free Water Heater Adapter (stainless steel) connects 3/4" PEX to a water heater.¹

✓ Description	Part Number	A	B	C	D	Weight
ProPEX LF Water Heater Adapter, 3/4" PEX LF Brass x 3/4" FIP x 18"	LF2957575	19.0"	1.3"	3/4" PEX	3/4" FIP	0.9 lbs.

Installation

Refer to the AquaPEX[®] Professional Plumbing Installation Guide for more information.

Standards

CAN/CSA B137.5; ASTM F877; ASTM F1960

Codes

IPC; UPC; NSPC; NPC of Canada

Listings

ANSI/NSF 14- and 61-certified; ICC ESR 1099; HUD MR 1269; U.P. Code, Annex G

Related Applications

PEX-a Plumbing Systems

Contact Information

Uponor, Inc.
5925 148th Street West
Apple Valley, MN 55124 USA
Phone: (800) 321-4739
Fax: (952) 891-2008
www.uponor-usa.com

Uponor Ltd.
2000 Argentia Rd., Plaza 1, Ste. 200
Mississauga, ON L5N 1W1 CANADA
Phone: (888) 994-7726
Fax: (800) 638-9517
www.uponor.ca

¹ProPEX[®] is a registered trademark of Uponor, Inc. ProPEX[™] is a trademark of Uponor Ltd.