

## QS-style Coupling Nipple

Submittal Information  
Revision B: Feb. 26, 2018

### Project information

Job name:

Location:

Part no. ordered:

Engineer:

Date submitted:

Contractor:

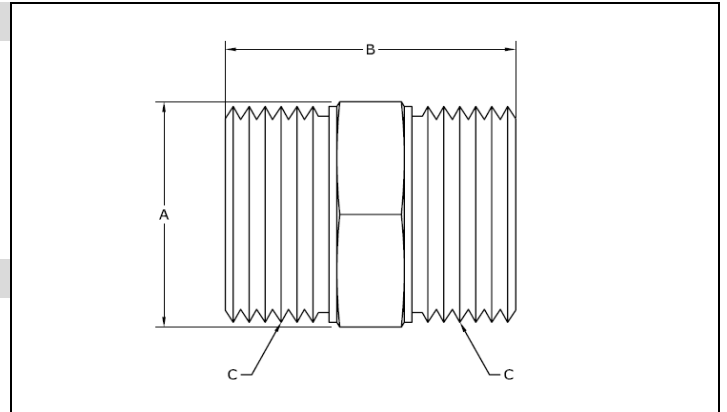
Submitted by:

Manufacturer's representative:

Approved by:

### Technical data

Fitting:	CA 360 Brass
Maximum Temperature (no pressure):	220°F (104°C)
Maximum Pressure:	125 psi



### Product information and application use

The Uponor QS-style Coupling Nipple is available in R20 and R25 thread. It is used with compression fittings to connect 5/16", 3/8", 1/2", 5/8" or 3/4" Wirsbo hePEX™ pipe in radiant heating and cooling applications. Note that R25 is for 5/8" and 3/4" pipe only.

✓ Description	Part number	A	B	C	Weight
QS-style Coupling Nipple, R20 x R20	A4322020	0.68"	1.30"	R20	0.17 lbs.
QS-style Coupling Nipple, R25 x R25 (5/8" and 3/4" pipe)	A4322525	0.98"	1.60"	R25	0.30 lbs.

### Installation

Corresponding QS-style fitting assembly threads onto QS-style Coupling Nipple fitting for repairs. For more information, refer to the Uponor Radiant Installation Handbook.

### Standards

ASTM F877

### Codes

N/A

### Listings

NSF-rfh; R20: ISO 228-G 3/4" B; R25: ISO 228-G 1" B

### Related applications

Radiant heating and cooling systems

### Contact information

Uponor Inc.  
5925 148<sup>th</sup> Street West  
Apple Valley, MN 55124 USA  
Phone: 800.321.4739  
Fax: 952.891.2008  
uponorpro.com

Uponor Ltd.  
6510 Kennedy Road  
Mississauga, ON L5T 2X4 CANADA  
Phone: 888.994.7726  
Fax: 800.638.9517  
uponorpro.com