

QS-style Baseboard Tee

Submittal Information
Revision B: July 19, 2010

Project Information

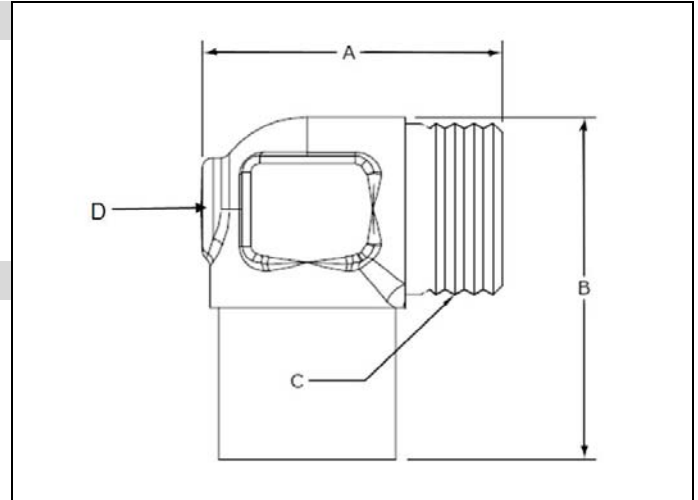
Job Name:	
Location:	Part No. Ordered:
Engineer:	Date Submitted:
Contractor:	Submitted By:
Manufacturer's Representative:	Approved By:

Technical Data

Material: 377 Brass

Product Information and Application Use

QS-style Baseboard Tee connects 1/2" and 5/8" Wirsbo hePEX™ tubing or Uponor AquaPEX® tubing to 3/4-inch copper baseboard. The fitting includes 1/8-inch threads for air vent.



✓ Description	Part Number	A	B	C	D	Weight
QS-style Baseboard Tee, R20 x 3/4" Copper Adapter	A4392075	1.73"	2.08"	R20	0.125" NPT	0.55 lbs.

Installation

Do not solder within 18 inches of the ProPEX® connection.¹ Refer to the Radiant Floor Heating Installation Handbook for additional information.

Standards

ASTM F877

Codes

N/A

Listings

NSF-rfh

Related Applications

Radiant Heating and Cooling Systems
Snow and Ice Melting Systems
Permafrost Protection Systems
Turf Conditioning Systems

Contact Information

Uponor, Inc.
5925 148th Street West
Apple Valley, MN 55124 USA
Phone: (800) 321-4739
Fax: (952) 891-2008
www.uponor-usa.com

Uponor Ltd.
2000 Argentia Rd., Plaza 1, Ste. 200
Mississauga, ON L5N 1W1 CANADA
Phone: (888) 994-7726
Fax: (800) 638-9517
www.uponor.ca

¹ProPEX® is a registered trademark of Uponor, Inc. ProPEX™ is a trademark of Uponor Ltd.