

ProPEX® Lead-free (LF) Brass Elbow

Submittal information
Revision B: Oct. 25, 2016

Project information

Job name:	
Location:	Part no. ordered:
Engineer:	Date submitted:
Contractor:	Submitted by:
Manufacturer's representative:	Approved by:

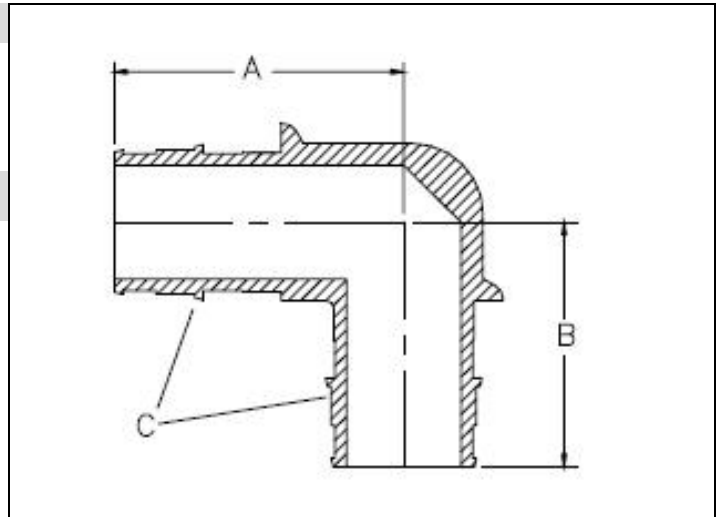
Technical data

Material: C69300 brass

Product information and application use

Uponor ProPEX® lead-free (LF) brass elbows are available for use in hot and cold domestic potable water systems, hydronic heating systems, all Uponor plumbing systems and in the AquaSAFE™ residential fire safety systems.¹

Each end features the ProPEX fitting for connections to Wirsbo hePEX™ tubing or Uponor AquaPEX® tubing. This product is safe for direct burial in soil.



✓ Description	Part number	A	B	C	Weight
ProPEX LF Brass Elbow, ¾" PEX x ¾" PEX*	LF4710750	1.64"	1.35"	0.75"	0.20 lbs.
ProPEX LF Brass Elbow, 1" PEX x 1" PEX*	LF4711000	2.06"	1.73"	1.00"	0.30 lbs.

Installation

ProPEX tools and ProPEX rings (sold separately) are required for connecting the PEX tubing. Refer to the AquaPEX professional plumbing installation guide, Radiant floor heating installation handbook or the AquaSAFE residential fire sprinkler installation guide for additional information.

Standards

ASTM F877; ASTM F1960; CSA B137.5; NSF-14; NSF-61; NSF-372

Codes

IBC; IRC; IPC; IMC; UPC; UMC; USEHC; NSPC; NPC of Canada

Listings

ANSI/NSF-14; ANSI/NSF-61; cNSF@us-pw-G; U.P. Code; IAPMO-ER-0253; ICC-ES-PMG-1006; ICC-ES-PMG-1012; HUD-MR-1269; cQAIus P321; cNSF@us-pw-fs-G; UL-1821; ULC/ORD-C199P

Related applications

PEX-a Plumbing Systems
Uponor Residential Fire Safety Systems
Radiant Heating and Cooling Systems
Snow and Ice Melting Systems
Permafrost Protection Systems
Turf Conditioning Systems

Contact information

Uponor Inc.
5925 148th Street West
Apple Valley, MN 55124 USA
T 800.321.4739
F 952.891.2008
uponor-usa.com

Uponor Ltd.
2000 Argentia Rd., Plaza 1, Ste. 200
Mississauga, ON L5N 1W1 CANADA
T 888.994.7726
F 800.638.9517
uponor.ca

¹ProPEX® is a registered trademark of Uponor, Inc. ProPEX™ is a trademark of Uponor Ltd.