

Ecoflex® Connection Vault

Submittal Information

Revision A: August 24, 2009

Project Information

Job Name:

Location: _____ Part No. Ordered: _____

Engineer: _____ Date Submitted: _____

Contractor: _____ Submitted By: _____

Manufacturer's Representative: _____ Approved By: _____

Technical Data

Material:

Body: Rotationally-molded Polyethylene

Body Interior: Polyethylene Insulation

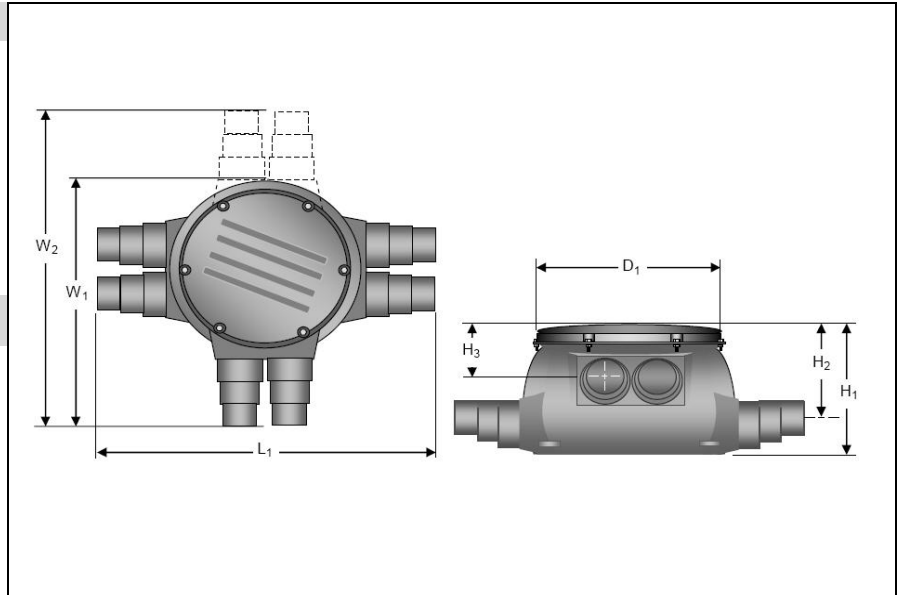
Cover: Polyethylene

Cover Fasteners: Stainless Steel

Cover Gasket: EPDM Rubber

Product Information and Application Use

The Ecoflex® Connection Vault provides a fully watertight, insulated enclosure for multiple straight-through and branch underground connections. This product is designed to eliminate the need for multiple branch connections, saving installation time and cost. Step-down outlets are compatible with the majority of Ecoflex piping. **Note:** End Caps are required at all ends of the piping system to ensure insulation integrity.



✓	Description	Part Number	Access Cover (D ₁)	Height: Overall (H ₁)	Height: Top to Centerline (H ₂)	Height: Top to Centerline (H ₃)	Width (W ₁ W ₂)	Length (L ₁)	Weight
	Ecoflex Connection Vault, 6 outlet	1018326	30"	29"	19"	11"	52" (W ₁)	66"	108 lbs.
	Ecoflex Connection Vault, 8 outlet	1018327	30"	29"	19"	11"	65" (W ₂)	66"	112 lbs

Installation

The Connection Vault is designed for burial. Position the Connection Vault in the trench to achieve proper pipe alignment prior to inserting the piping. For complete instructions, refer to the Pre-insulated Pipe System Connection Vault Instruction Sheet.

Standards

N/A

Codes

N/A

Listings

N/A

Related Applications

Radiant Heating and Cooling Systems
 Snow and Ice Melting Systems
 Permafrost Protection Systems
 Turf Conditioning Systems

Contact Information

Uponor, Inc.
 5925 148th Street West
 Apple Valley, MN 55124 USA
 Phone: (800) 321-4739
 Fax: (952) 891-2008
 www.uponor.com

Uponor Ltd.
 2000 Argentia Rd., Plaza 1, Ste. 200
 Mississauga, ON L5N 1W1 CANADA
 Phone: (888) 994-7726
 Fax: (800) 638-9517
 www.uponor.ca