

Uponor AquaPEX® White, straight length

Submittal information

Revision L: Sept. 14, 2018

Project information

Job name:

Location:

Part no. ordered:

Engineer:

Date submitted:

Contractor:

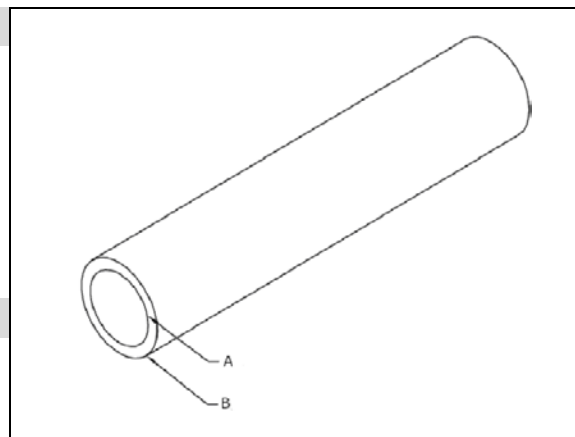
Submitted by:

Manufacturer's representative:

Approved by:

Technical data

Material:	Crosslinked polyethylene PEX-a Engel Method; PEX 5106
Standard grade hydrostatic ratings (PPI):	200°F (93°C) at 80 psi (551 kPa) 180°F (82°C) at 100 psi (689 kPa) 73.4°F (23°C) at 160 psi (1,103 kPa) ½", ¾", 1", 1¼", 1½" and 2" Uponor AquaPEX® White piping only: 120°F (49°C) at 130 psi (896 kPa)
Linear expansion rate:	1.10"/10°F/100' (27.94mm/5.56°C/30.48m)



Product information and application use

Uponor AquaPEX White, straight length pipe, is used for hot and cold domestic potable water distribution, residential fire safety and radiant heating and cooling and hydronic piping systems containing no ferrous corrodible components or where ferrous components are isolated from the piping.

✓ Description	Part number	A	B	Weight
½" Uponor AquaPEX White, 20-ft. straight length, 500 ft. (25 per bundle)	F1930500	0.475"	0.625"	28.0 lbs.
¾" Uponor AquaPEX White, 20-ft. straight length, 300 ft. (15 per bundle)	F1930750	0.671"	0.875"	31.0 lbs.
1" Uponor AquaPEX White, 20-ft. straight length, 200 ft. (10 per bundle)	F1921000	0.862"	1.125"	38.0 lbs.
1¼" Uponor AquaPEX White, 20-ft. straight length, 100 ft. (5 per bundle)	F1921250	1.054"	1.375"	25.0 lbs.
1½" Uponor AquaPEX White, 20-ft. straight length, 100 ft. (5 per bundle)	F1921500	1.244"	1.625"	35.0 lbs.
2" Uponor AquaPEX White, 20-ft. straight length, 100 ft. (5 per bundle)	F1922000	1.629"	2.125"	60.5 lbs.
2½" Uponor AquaPEX White, 10-ft. straight length, 30 ft. (3 per bundle)	F1912500	2.011"	2.625"	27.6 lbs.
2½" Uponor AquaPEX White, 20-ft. straight length, 60 ft. (3 per bundle)	F1922500	2.011"	2.625"	55.2 lbs.
3" Uponor AquaPEX White, 10-ft. straight length, 30 ft. (3 per bundle)	F1913000	2.400"	3.125"	39.8 lbs.
3" Uponor AquaPEX White, 20-ft. straight length, 40 ft. (2 per bundle)	F1923000	2.400"	3.125"	53.1 lbs.

Installation

Use ProPEX® fittings for ¾" through 3" pipe.¹ Refer to the ProPEX Connections Instructional Guide, Uponor Piping Pocket Guide, Plumbing Design Assistance Manual (PDAM), Complete Design Assistance Manual (CDAM), Hydronic Piping Design Assistance Manual (HPDAM) or AquaSAFE™ Residential Fire Sprinkler Installation Guide for more information.

Listings²

cNSFus-fs³; cNSFus-pw; cQAlus P321; UL; CSA; PPI TR-4; ICC-ES; BMEC; CCMC

Codes

IAPMO; ICC; IPC; IMC; IRC; UPC; UMC; NSPC; HUD; UFGS; NPC of Canada; NBC of Canada

Standards

ANSI/NSF 14; ANSI/NSF 61; ASTM F876; ASTM F877; ASTM F1960; ASTM F2023; ASTM E84; CAN/ULC S102.2; ASTM E119/UL 263; CAN/ULC S101; ASTM E814/ULC S115; CSA B137.5; CSA B214; UL 1821³; ULC/ORD-C199P³; AWWA C904⁴

Related applications

PEX-a plumbing systems
AquaSAFE™ residential fire safety systems
Radiant heating and cooling systems
Hydronic piping systems

Contact information

Uponor, Inc.
5925 148th Street West
Apple Valley, MN 55124 USA
Phone: 800.321.4739
Fax: 952.891.2008
uponorpro.com

Uponor Ltd.
6510 Kennedy Road
Mississauga, ON L5T 2X4 CANADA
Phone: 888.994.7726
Fax: 800.638.9517
uponorpro.com

¹ProPEX® is a registered trademark of Uponor, Inc. ProPEX™ is a trademark of Uponor Ltd.

²Visit listing agency's website for complete information.

³For ¾", 1" and 1¼" tubing only.

⁴For ¾" tubing and larger.