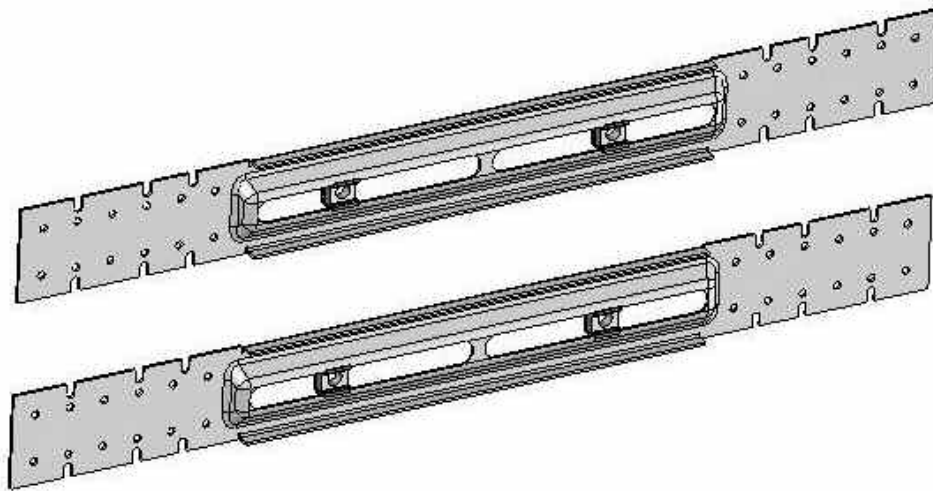


TRUFLOW™ SUPPORT BRACKET

INSTRUCTION SHEET



Introduction

Use TruFLOW™ Support Brackets to mount TruFLOW Jr. and TruFLOW Classic manifold assemblies in four configurations — with exposed studs, in a stud cavity, on a flat surface and vertically.

The package contents include the following.

- Two stamped metal brackets
- Four cage nuts, $\frac{5}{16}$ " - 18 (Uponor part no. A2072505)
- Four machine screws, $\frac{7}{16}$ " - 18 x $\frac{1}{2}$ " long
- Four washers, $\frac{5}{16}$ "
- 16 wood screws, #6 x $1\frac{1}{2}$ " long

Refer to the following instructions for proper installation of the brackets.

Exposed Studs Configuration

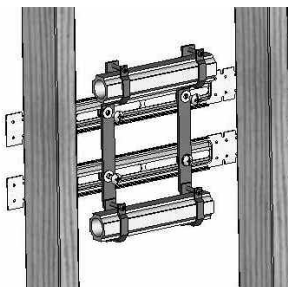


Figure 1: Exposed Studs

1. Determine the minimum height requirement from the floor to the bottom of the lowest manifold (typically around 12" to 18").

Note: Installing the manifolds lower than 12" makes manifold adjustments and connections difficult.

2. Determine the location height for the lower bracket. Facing the back of the studs, take the minimum manifold height and add 4".
3. Mark the back of the studs. This will be the location for the bottom of the lower bracket.
4. Make another mark 4" above that mark for the location of the bottom of the upper bracket.
5. Insert the supplied cage nuts into the bracket slots.
6. Using the marked studs as a guide, place the brackets in their respective locations. Use a level to ensure the brackets are level before fastening them to the studs.
7. Use the supplied wood screws to fasten the brackets to the back of the studs. Make sure the bracket faces forward.
8. Loosely mount the manifolds with the four supplied washers and machine screws.
9. Adjust the manifolds horizontally to achieve the right location.
10. Once the manifolds are in the correct location, tighten all four screws.

Stud Cavity Configuration

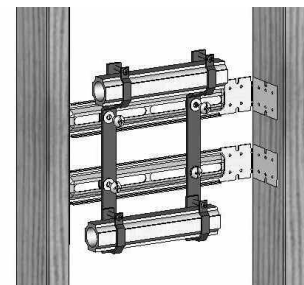


Figure 2: Stud Cavity

1. Determine the minimum height requirement from the floor to the bottom of the lowest manifold (typically around 12" to 18").

Note: Installing the manifolds lower than 12" makes manifold adjustments and connections difficult.

2. Determine the location height for the lower bracket. Facing the stud cavity, take the minimum manifold height and add 4".
3. Mark the inside of the studs. This will be the location for the bottom of the lower bracket.
4. Make another mark 4" above that mark for the location of the bottom of the upper bracket.
5. Measure the stud cavity width and bend both ends of the bracket forward to fit into the stud cavity.

6. Insert the supplied cage nuts into the bracket slots.
 7. Using the marked studs as a guide, place the brackets in their respective locations. Use a level to ensure the brackets are level before fastening them to the studs.
 8. Use the supplied wood screws to fasten the brackets to the side of the studs.
 9. Loosely mount the manifolds with the four supplied washers and machine screws.
 10. Adjust the manifolds horizontally to achieve the right location.
 11. Once the manifolds are in the correct location, tighten all four screws.
4. Make another mark 4" above that mark for the location of the bottom of the upper bracket.
 5. Bend the ends of both brackets in a step shape to achieve the appropriate offset distance from the wall.
 6. Insert the supplied cage nuts into the bracket slots.
 7. Using the marked wall as a guide, place the brackets in their respective locations. Use a level to ensure the brackets are level before fastening them to the wall.
 8. Use the supplied wood screws to fasten the brackets to the wall.
 9. Loosely mount the manifolds with the four supplied washers and machine screws.
 10. Adjust the manifolds horizontally to achieve the right location.
 11. Once the manifolds are in the correct location, tighten all four screws.

Flat Surface Configuration

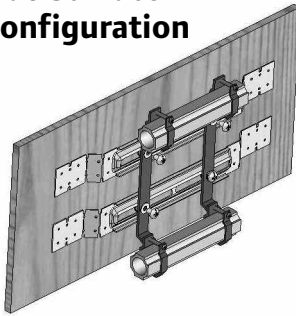


Figure 3: Flat Surface

1. Determine the minimum height requirement from the floor to the bottom of the lowest manifold (typically around 12" to 18").

Note: Installing the manifolds lower than 12" makes manifold adjustments and connections difficult.

2. Determine the location height for the lower bracket. Take the minimum manifold height and add 4".
3. Mark the wall. This will be the location for the bottom of the lower bracket.

Vertical Mounting Configuration Over a Plywood Subfloor

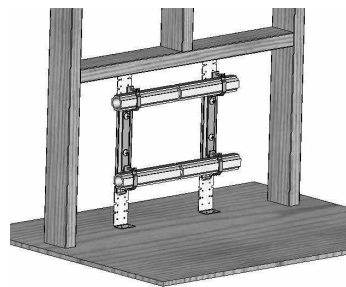


Figure 4: Vertical Mounting

1. Install a header stud 17½" from the floor to accommodate the mounting bracket.

Note: Since these brackets can only accommodate a manifold cavity height of 17½", it reduces the distance between the floor and the bottom of the manifold

to 3½". This may make manifold adjustments and connections difficult. If the manifolds require more room, consider using Uponor Manifold Wall Cabinets (A2603524, A2603530 and A2603539).

2. Bend the ends of both brackets forward at the outermost bend guide. This will ensure the bracket fits properly into the cavity.
3. To find the correct horizontal spacing for the mounting brackets, measure the distance between the brackets on the manifold assembly and use this measurement as a guide for the distance between the mounting brackets.
4. Insert the supplied cage nuts into the bracket slots.
5. After placing the mounting brackets in the proper location with the proper horizontal distance, mark the top and bottom of the manifold cavity at the center of each bracket location.

Note: Use a level to ensure the brackets are level before fastening.

6. Use the supplied wood screws to fasten the brackets in a vertical position at the top and bottom.
7. Loosely mount the manifolds with the four supplied washers and machine screws.
8. Adjust the manifolds vertically to achieve the right location.
9. Once the manifolds are in the correct location, tighten all four screws.

Uponor, Inc.
 5925 148th Street West
 Apple Valley, MN 55124
 Tel: (800) 321-4739
 Fax: (952) 891-1409
Web: www.uponor-usa.com
E-mail: learnmore@uponor-usa.com

Uponor Ltd.
 655 Park Street
 Regina, SK S4N 5N1
 Tel: (888) 994-7726
 Fax: (800) 638-9517
Web: www.uponor.ca
E-mail: info@uponor.ca

uponor