



Uponor

RADIANT HEATING SYSTEMS

JOIST TRAK™

CUT SHEET

Joist Trak™ — The Innovative Solution for Radiant Floor Heating

Joist Trak™ speeds tubing installations for radiant heating applications and greatly improves the overall heat output when compared to staple-up and double-groove aluminum plates.

Joist Trak is an extruded aluminum heat-transfer panel (4' L x 3.5" W) capable of much higher output resulting in greater comfort and efficiency for radiant heating systems.

To install Joist Trak, just fasten the four-foot aluminum plate to the subfloor and snap in the Wirsbo hePEX™ tubing. It's that simple.

Features and Benefits

- Excellent for use in floor, wall and ceiling applications
- Available for 3/8" or 1/2" Wirsbo hePEX tubing
- Extruded aluminum delivers greater output and more uniform heat distribution
- Installs from below the subfloor to avoid altering floor construction
- Less-invasive method cuts installation costs and reduces clutter
- Versatile — cut four-foot lengths right on the jobsite to fit any space
- Easy to install — just fasten the Joist Trak and snap in the tubing
- Self-supporting design does not require additional fasteners for tubing runs



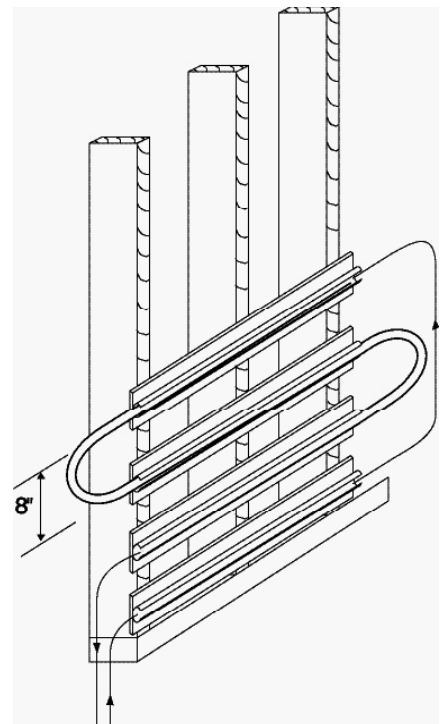
Wirsbo hePEX tubing easily and securely snaps into the Joist Trak channel for faster installations without extra fasteners.

Helpful Hints

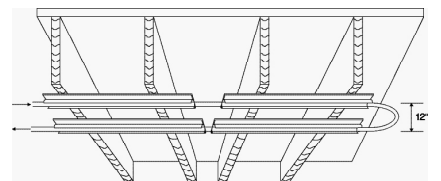
To determine the number of Joist Trak panels needed for a job, refer to the following instructions.

1. Figure the amount of tubing required by taking the net heated area and multiplying by 1.5 (for 8 inches on-center wall spacing).
2. Take the total length of tubing required (not including the supply-and-return runs) and multiply that number by .2125. This will account for the exposed turns at each end.

Product Information	Joist Trak for for $\frac{3}{8}$ " Tubing	Joist Trak for $\frac{1}{2}$ " Tubing
Part Number	A5080375	A5080500
Overall Height	0.550 inches	0.675 inches
Internal Channel Diameter	0.515 inches	0.640 inches
Wall Thickness	0.050 inches	0.050 inches
Width	3.5 inches	3.5 inches
Length	48 inches	48 inches

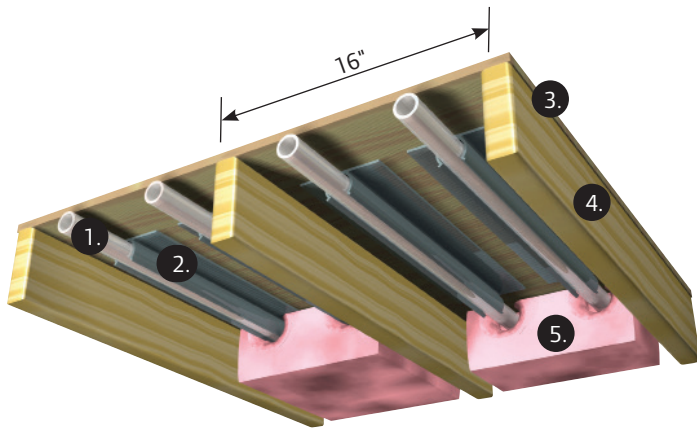


Wall Installation



Ceiling Installation

Note: When using sheetrock, ensure water temperature does not exceed 120°F (49°C).



Below Subfloor Installation

1. Uponor PEX Tubing
2. Joist Trak
3. Subfloor
4. Floor Joist
5. Suitable Insulation

Uponor, Inc.
 5925 148th Street West
 Apple Valley, MN 55124 USA
 Tel: (800) 321-4739
 Fax: (952) 891-1409
 Web: www.uponor-usa.com

Uponor Ltd.
 2000 Argentia Rd., Plaza 1, Ste. 200
 Mississauga, ON L5N 1W1 CANADA
 Tel: 888.994.7726
 Fax: 800.638.9517
 Web: www.uponorpro.com

