



RESIDENTIAL FIRE  
SAFETY SYSTEMS

**ProPEX® LEAD-FREE  
BRASS FIRE SPRINKLER  
ADAPTER**

**PRODUCT GUIDE**



# Uponor ProPEX® Lead-free Brass Fire Sprinkler Adapter

## Why Lead-free\* Brass?

Recent lead-reduction legislation from states such as California (AB1953) and Vermont (S152) now require any plumbing product intended to convey or dispense potable tap (drinking) water must not contain more than 0.25% weighted average lead on wetted surfaces. With states such as Washington and Maryland proposing their own lead-reduction legislation, more and more states are predicted to follow suit.

Because Uponor's AquaSAFE™ is a multipurpose system (meaning it combines the cold potable plumbing and the fire sprinkler system), it is important to provide products that will meet this new legislation.

\*Per NSF Annex G, lead-free products contain not more than 0.25% weighted average lead content on wetted surfaces.

## Why Fire Sprinklers?

On Jan. 1, 2011, the 2009 International Residential Code will require fire sprinklers in every new one- and two-family home built in the United States. Why are sprinklers being mandated in every new home? Quite simply, they help save lives and property.

## New Business Opportunities

In the current shrinking home building market, this new mandate will offer fire sprinkler and plumbing installers new opportunities to expand their business. It makes sense to learn about the benefits of multipurpose AquaSAFE systems now, so homebuilders and contractors will be ready when the mandate takes effect.

## Features and Benefits

- First lead-free brass fire sprinkler adapter in the industry
- More cost competitive compared to stainless-steel adapters
- Flexible pre-assembly and mounting options (no blocking required)
- Provides faster, more efficient installations
- Meets state lead-reduction legislation for potable plumbing systems
- Works with Uponor's AquaSAFE Looped multipurpose system
- Backed by a 25-year warranty when installed by an Uponor-trained professional



lead free



Assembled Product

## ProPEX Lead-free Brass Fire Sprinkler Adapter Offering

Part No.	Part Description
LF7701010	ProPEX LF Brass Fire Sprinkler Adapter Tee, 1" PEX x 1" PEX x ½" FNPT
LF7707575	ProPEX LF Brass Fire Sprinkler Adapter Tee, ¾" PEX x ¾" PEX x ½" FNPT
A7750700	Fire Sprinkler Adapter Mounting Bracket, ¾" and 1"
F7001500	Screws, #10 x 1½", Pan Head, Full Thread, 100/pk.
F7000005	Fire Sprinkler Adapter Push-on Nut, 25/pk.

**Note:** Installation requires one Fire Sprinkler Adapter Mounting Bracket (A7750700) and one Push-on Nut (F7000005) for each Lead-free Brass Fire Sprinkler Adapter Tee (LF7707575 or LF7701010). Mount the bracket using #10 x 1½" screws (F7001500) or equivalent.

**Note:** ProPEX Tool is required. ProPEX Rings sold separately.



LF7701010



A7750700



F7000005



ProPEX Lead-free Brass Sprinkler Adapter in an AquaSAFE Looped Multipurpose System

### Codes, Standards and Listings

**Codes:**

IPC  
UPC  
NSPC  
NPC of Canada

**Manufacturing Standards:**

ASTM F877  
ASTM F1960  
CAN/CSA B137.5

**Product Listings:**

ANSI/NSF Standard 14  
ANSI/NSF Standard 61  
NSF U.P. Code  
NSF Annex G  
UL 1821

### Benefits of an Uponor AquaSAFE Multipurpose System

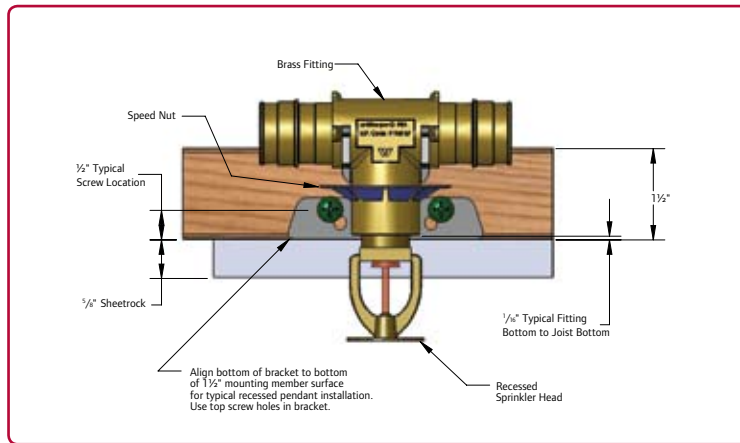
- Often requires only one contractor to install both plumbing and fire sprinklers
- Verifies fresh water is available to the sprinklers each time a cold-water plumbing fixture is used
- No need for check valves or backflow preventers
- Can't be unintentionally shut off
- Features flexible, durable AquaPEX® tubing which carries a 20-year history in plumbing applications
- Because of its flexibility, AquaPEX tubing requires fewer fittings and fewer connections compared to rigid systems
- Features proven ProPEX connection; no torches, glues, solvents or gauges
- No dry-fitting issues
- No routine maintenance or inspections
- Features most freeze-resistant tubing on the market; requires no antifreeze hassles
- Can be safely air tested
- Backed by a 25-year limited warranty when installed by an Uponor-trained professional

# Fire Sprinkler Adapter Installation

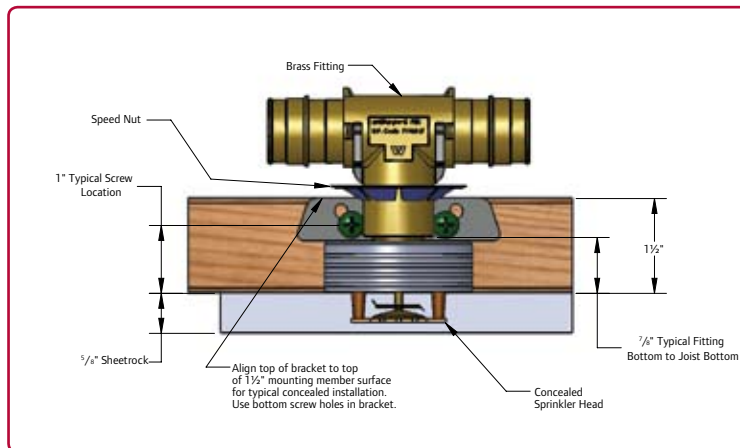
1. Attach the mounting bracket to the structure with two screws (F7001500). If using the lower mounting holes, install a third screw in the center hole.
2. Snap the fire sprinkler adapter into the mounting bracket.
3. Install the Push-on Nut (F7000005) over the threaded portion of the fire sprinkler adapter.

**Note:** When using the upper mounting holes, the installer can also preassemble the sprinkler adapter and mounting bracket (with or without the sprinkler head).

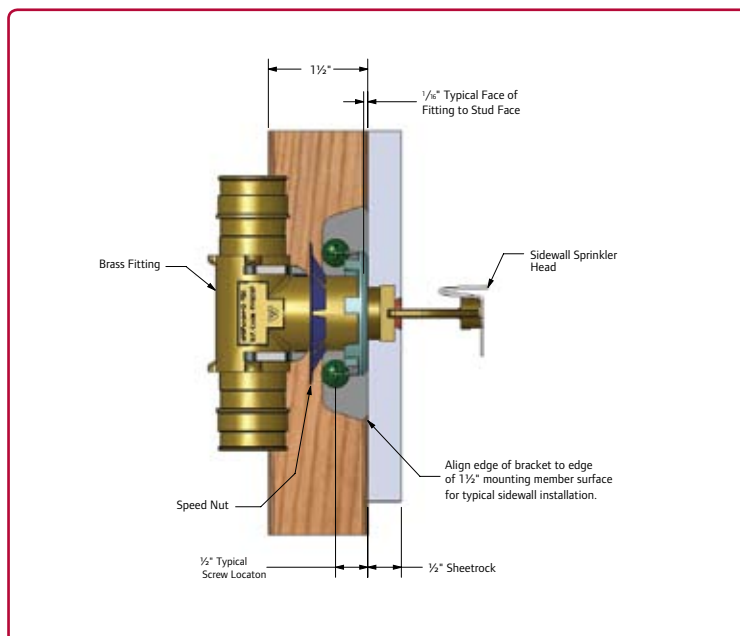
**Note:** Dimensions shown are for typical ceiling or wall construction and may not apply in all applications. Always verify the sprinkler is properly positioned after finishing ceilings and walls.



**Recessed Sprinkler Assembly**



**Concealed Sprinkler Assembly**



**Horizontal Sidewall Sprinkler Assembly**

# ProPEX Lead-free Brass Fire Sprinkler Adapter FAQs

## Why is Uponor offering a lead-free brass fire sprinkler adapter?

Uponor is responding to recent lead-reduction legislation from states such as California (AB1953) and Vermont (S152) that now require any plumbing product intended to convey or dispense potable tap (drinking) water must not contain more than 0.25% weighted average lead on wetted surfaces. Because AquaSAFE is a multipurpose system (meaning it combines the cold potable plumbing and the fire sprinkler system), it is important to provide products that will meet this new legislation.



A7750700 Fire Sprinkler  
Adapter Mounting Bracket

F7000005 Fire Sprinkler  
Adapter Push-on Nut

## When is the current legislation set to take effect?

California and Vermont have already approved their proposed lead-free legislation, which takes effect Jan. 1, 2010. Once a state's legislation is approved and takes effect, all suppliers of metallic, potable-water components must prove their products meet the lead-level criteria by complying with the minimum requirement from the National Sanitation Foundation (NSF).

## Do the sprinkler heads also need to be lead free?

Not necessarily. Depending on local regulations, if the plumbing connections are limited to non-potable fixtures, the system may not have to be lead free. However, to increase design and installation options, Uponor is actively pursuing sources for lead-free sprinkler heads.



LF7701010 or LF7707575  
ProPEX LF Brass Fire  
Sprinkler Adapter Tee

## Does this lead-free requirement affect Uponor's PEX tubing?

No, Uponor's PEX tubing contains no lead-level concerns.

## Is there a warranty?

Yes, Uponor offers a 25-year warranty on AquaPEX tubing and ProPEX fittings when installed by an Uponor-trained professional.

## How does AquaSAFE work?

AquaSAFE is a multipurpose system, which means the potable cold-water plumbing and fire sprinklers are combined. This type of system provides added peace of mind because it confirms fresh water is available to the sprinklers each time a cold-water plumbing fixture is used. Also, because it is a non-stagnant system, AquaSAFE does not require the use of expensive check valves or backflow preventers.



Assembled Product

For more information, visit our websites listed below.

**Uponor, Inc.**  
5925 148th Street West  
Apple Valley, MN 55124 USA  
Tel: (800) 321-4739  
Fax: (952) 891-2008  
Web: [www.uponor-usa.com](http://www.uponor-usa.com)

**Uponor Ltd.**  
2000 Argentia Rd., Plaza 1, Ste. 200  
Mississauga, ON L5N 1W1 CANADA  
Tel: (888) 994-7726  
Fax: (800) 638-9517  
Web: [www.uponor.ca](http://www.uponor.ca)

**uponor**