

ProPEX® Lead-free (LF) Brass Fire Sprinkler Adapter Elbow

Submittal information
Revision A: Dec. 5, 2016

Project information

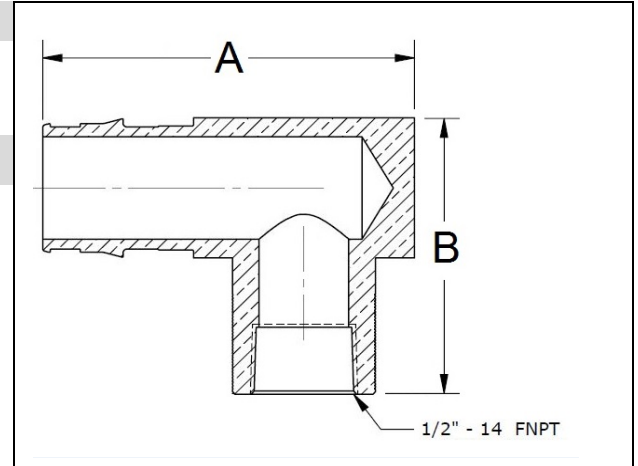
Job name:	
Location:	Part no. ordered:
Engineer:	Date submitted:
Contractor:	Submitted by:
Manufacturer's representative:	Approved by:

Technical data

Material: C69300 brass

Product information and application use

ProPEX® lead-free (LF) brass fire sprinkler adapter elbows are designed for use with ¾" or 1" Uponor AquaPEX® tubing to connect fire sprinklers to the Uponor residential AquaSAFE™ fire safety system. Use Uponor ProPEX fittings for the connections.¹



✓	Description	Part number	A	B	Weight
	ProPEX LF Brass Fire Sprinkler Adapter Elbow, 1" PEX x ½" FNPT	LF7711050	2.91"	2.21"	0.59 lbs.
	ProPEX LF Brass Fire Sprinkler Adapter Elbow, ¾" PEX x ½" FNPT	LF7717550	2.68"	2.21"	0.62 lbs.

Installation

Use the appropriate Uponor ProPEX ring for the tubing. Install the elbow using the Fire Sprinkler Adapter Mounting Bracket (A7750700) and Fire Sprinkler Adapter Push-on Nut (F7000005). For more information, refer to the Uponor AquaSAFE system installation guide.

Related products

Fire Sprinkler Adapter Mounting Bracket, ¾" and 1" (A7750700)
Fire Sprinkler Adapter Push-on Nut (F7000005)

Standards

CAN/CSA B137.5; ASTM F877; ASTM F1960; UL 1821; ULC/ORD – C199P

Codes

IPC; UPC; NSPC; IRC; IMC; NPC of Canada

Listings

ANSI/NSF 14- and 61-certified; ICC ESR 1099; HUD MR 1269; IAPMO

Related applications

PEX plumbing systems
AquaSAFE fire safety systems

Contact information

Uponor Inc.
5925 148th Street West
Apple Valley, MN 55124 USA
T 800.321.4739
F 952.891.2008
uponorpro.com

Uponor Ltd.
2000 Argentia Rd., Plaza 1, Ste. 200
Mississauga, ON L5N 1W1 CANADA
T 888.994.7726
F 800.638.9517
uponorpro.com

¹ProPEX® is a registered trademark of Uponor, Inc. ProPEX™ is a trademark of Uponor Ltd.