

Thermal Zone Valve

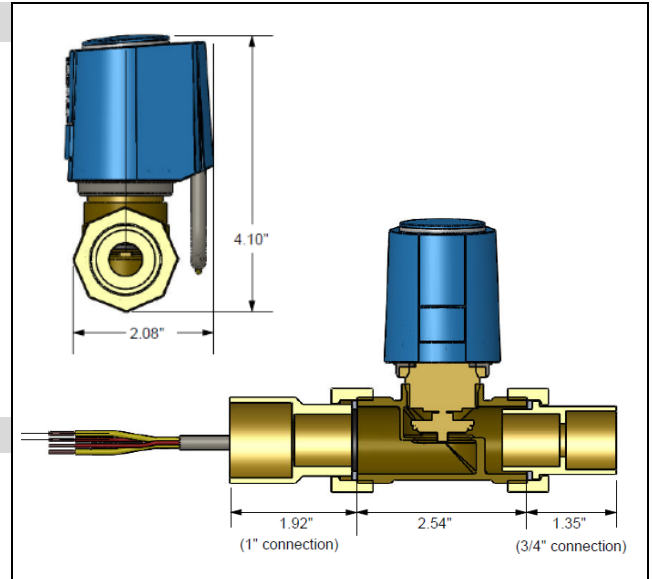
Submittal information
Revision B: March 11, 2019

Project information

Job name:	
Location:	Part no. ordered:
Engineer:	Date submitted:
Contractor:	Submitted by:
Manufacturer's representative:	Approved by:

Technical data

Material:	Bronze casting, brass stainless-steel trim
Maximum water temperature:	248°F (120°C)
Maximum working pressure:	230 psi (1,585 kPa)
Gasket:	EPDM
Cv:	5.3
Spring:	Stainless steel
Connections:	¾" sweat; 1" sweat
Operating voltage:	24VAC nominal, 1 watt
Time to open/close:	3 to 5 minutes
End switch rating:	24 VAC, 2 A resistive



Product information and application use

The Uponor Thermal Zone Valve, four-wire, features ¾" and 1" sweat connections. It provides flow control for individual terminal units or a single-zone manifold (manifold serving one zone). The Thermal Zone Valve is assembled with the 1-watt Uponor Thermal Actuator, four-wire (A3023522) which includes an end switch for activation of a relay pump, heat plant or other auxiliary devices.

✓	Description	Part number	Height	Length (body)	Width	Weight
<input type="checkbox"/>	Thermal Zone Valve, four-wire	A3011075	4.10"	2.54"	2.08"	1.75 lbs.

Installation

Refer to the Uponor Thermal Actuator Instruction Sheet for additional information.

Accessories

A2771060 Spacer Ring VA10 for Thermal Actuators

Standards

N/A

Codes

N/A

Listings

N/A

Related applications

Radiant heating and cooling systems
Snow and ice melting systems
Permafrost protection systems
Turf conditioning systems

Contact information

Uponor Inc.
5925 148th Street West
Apple Valley, MN 55124 USA
Phone: 800.321.4739
Fax: 952.891.2008
uponorpro.com

Uponor Ltd.
6510 Kennedy Road
Mississauga, ON L5T 2X4 CANADA
Phone: 888.994.7726
Fax: 800.638.9517
uponorpro.com