

## TruFLOW™ Jr. Manifold with Isolation Valves

Submittal information  
Revision B: Oct. 18, 2018

### Project information

Job name:

Location:

Part no. ordered:

Engineer:

Date submitted:

Contractor:

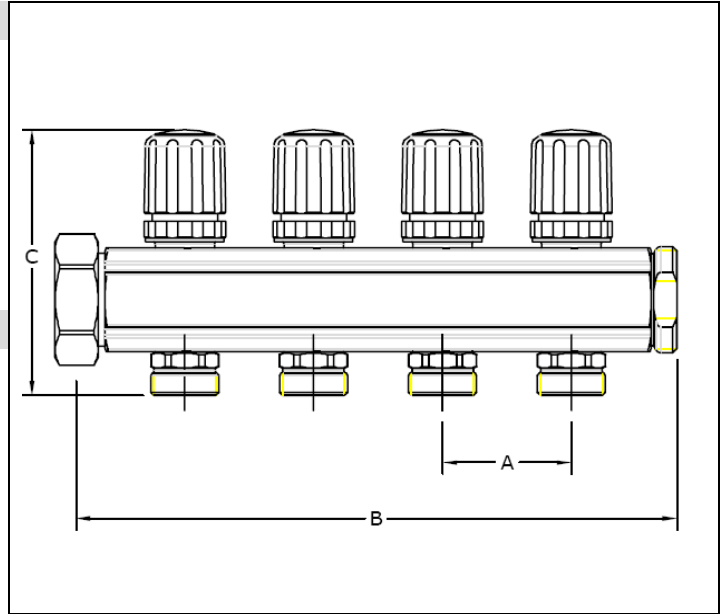
Submitted by:

Manufacturer's representative:

Approved by:

### Technical data

Material:	UNS C3850 brass
Manifold size:	1"
Loop Cv (valve wide open):	1.9
Manifold body threaded connections:	R32
Manifold loop threaded connections:	R20
Maximum working pressure:	145 psi
Maximum fluid temperature:	220°F (104°C)
Maximum fluid flow rate:	14.0 gpm



### Product information and application use

Use the TruFLOW™ Jr. Manifold with Isolation Valves with either the TruFLOW Jr. Manifold with Balancing Valves or the TruFLOW Jr. Valveless Manifold to complete the manifold set. The TruFLOW Jr. Manifold with Isolation Valves allows quick isolation of the loop by turning the black cap on the top of the manifold. For multiple zoning on the manifold, remove the black caps and replace with Uponor Thermal Actuators or Motorized Valve Actuators (MVAs). TruFLOW Manifold Actuator Adapters are included for mounting Thermal Actuators or MVAs. Manifolds are available in 2-, 3- and 4-loop configurations. The manifold body ends have R32 unions and the loop outlets have R20 male threads.

✓ Description	Part number	A	B	C	Weight
TruFLOW Jr. Manifold with Isolation Valves, 2-loop	A2663222	1.97"	5.66"	4.13"	2.60 lbs.
TruFLOW Jr. Manifold with Isolation Valves, 3-loop	A2663223	1.97"	7.63"	4.13"	3.40 lbs.
TruFLOW Jr. Manifold with Isolation Valves, 4-loop	A2663224	1.97"	9.60"	4.13"	4.30 lbs.

### Installation

Manifold is shipped with the appropriate number of actuator adapters (A2630028). Refer to the TruFLOW Jr. Manifold Instruction Sheet or the Uponor Complete Design Assistance Manual for additional information.

### Standards

ASTM F877; R32: ISO 228-G 1¼; R20: ISO 228-G ¾ B

### Codes

UMC; IMC; IRC; NPC of Canada

### Listings

NSF-rfh

### Accessories

TruFLOW Jr. Manifold Bracket: A2640021; End Cap with Vent: A2803250; Basic End Cap: A2080032

### Related applications

Radiant heating and cooling systems  
Snow and ice melting systems  
Permafrost prevention systems  
Turf conditioning systems

### Contact information

Uponor Inc.  
5925 148<sup>th</sup> Street West  
Apple Valley, MN 55124 USA  
Phone: 800.321.4739  
Fax: 952.891.2008  
uponorpro.com

Uponor Ltd.  
6510 Kennedy Road  
Mississauga, ON L5T 2X4 CANADA  
Phone: 888.994.7726  
Fax: 800.638.9517  
uponorpro.com