

TruFLOW™ Jr. Assembly with Balancing and Isolation Valves

Submittal information

Revision E: Oct. 18, 2018

Project information

Job name:

Location:

Part no. ordered:

Engineer:

Date submitted:

Contractor:

Submitted by:

Manufacturer's representative:

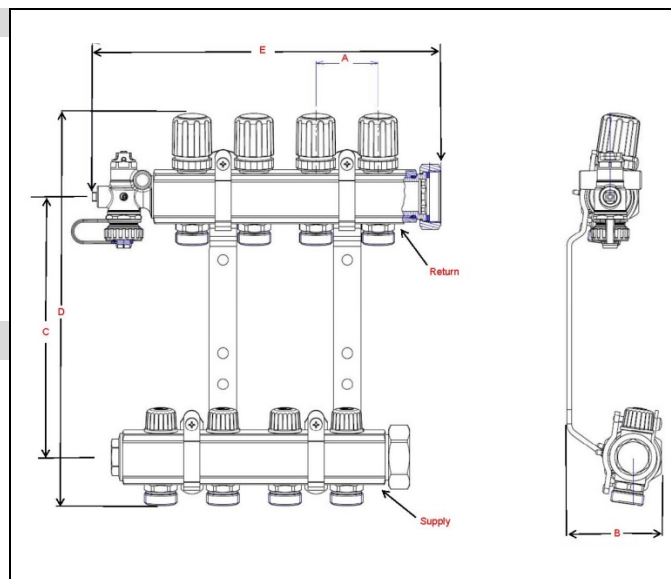
Approved by:

Technical data

Material:	UNS C3850 Brass
Manifold size:	1"
Loop Cv (valve wide open):	1.9
Manifold body threaded connections:	R32
Manifold loop threaded connections:	R20
Maximum working pressure:	145 psi
Maximum fluid temperature:	220°F (104°C)
Maximum fluid flow rate:	14.0 gpm

Product information and application use

The TruFLOW™ Jr. Assembly with Balancing and Isolation Valves comes fully assembled and ready for installation. Use the TruFLOW Balancing Hex Key on the internal balancing valves of the supply manifold to balance the loops across the manifold. The TruFLOW Jr. Manifold with Isolation Valves allows quick isolation of the loop by turning the black cap on the top of the manifold. For multiple zoning on the manifold, remove the black caps and replace with Uponor Thermal Actuators or Motorized Valve Actuators (MVAs). The manifold assembly is shipped with the appropriate number of TruFLOW Manifold Actuator Adapters. The manifold body ends have R32 unions and the loop outlets have R20 male threads.



✓ Description	Part number	A	B	C	D	E	Weight
TruFLOW Jr. Assembly, B&I, 2-loop	A2660201	1.97"	3.00"	8.25"	12.40"	7.60"	5.78 lbs.
TruFLOW Jr. Assembly, B&I, 3-loop	A2660301	1.97"	3.00"	8.25"	12.40"	9.50"	7.86 lbs.
TruFLOW Jr. Assembly, B&I, 4-loop	A2660401	1.97"	3.00"	8.25"	12.40"	11.50"	9.95 lbs.
TruFLOW Jr. Assembly, B&I, 5-loop	A2660501	1.97"	3.00"	8.25"	12.40"	13.50"	12.67 lbs.
TruFLOW Jr. Assembly, B&I, 6-loop	A2660601	1.97"	3.00"	8.25"	12.40"	15.50"	14.76 lbs.
TruFLOW Jr. Assembly, B&I, 7-loop	A2660701	1.97"	3.00"	8.25"	12.40"	17.40"	16.84 lbs.
TruFLOW Jr. Assembly, B&I, 8-loop	A2660801	1.97"	3.00"	8.25"	12.40"	19.30"	18.93 lbs.

Installation

TruFLOW Jr. Manifolds are fully assembled ready for installation. Use the TruFLOW Balancing Hex Key on the internal balancing valves of the supply manifold. The manifold is shipped with the appropriate number of actuator adapters (A2630028). Refer to the Uponor TruFLOW Jr. Manifold Instruction Sheet for further information.

Standards

ASTM F877; R32: ISO 228-G 1¼; R20: ISO 228-G ¾ B

Codes

UMC; IMC; IRC; NPC of Canada

Listings

NSF-rfh

Accessories

A2610020: TruFLOW Loop Thermometer	A2620002: TruFLOW Balancing Hex Key	A2631251: Manifold S&R Ball Valves with Temperature Gauges, set of 2
A3010522: Thermal Actuator, 4-wire	A2620009: Replacement O-ring for TruFLOW Temperature/Flow Meter	A2631252: Manifold S&R Ball Valves, set of 2
A3020416: Thermal Actuator, 2-wire	A2631250: TruFLOW Manifold S&R Ball Valves	A2640015: TruFLOW Visual Flow Meter, 0.15 to 0.8 gpm
A2640021: TruFLOW Jr. Manifold Mounting Bracket, single bracket		

Related applications

Radiant heating and cooling systems
Snow and ice melting systems
Permafrost prevention systems
Turf conditioning systems

Contact information

Uponor Inc. 5925 148 th Street West Apple Valley, MN 55124 USA Phone: 800.321.4739 Fax: 952.891.2008 uponorpro.com	Uponor Ltd. 6510 Kennedy Road Mississauga, ON L5T 2X4 CANADA Phone: 888.994.7726 Fax: 800.638.9517 uponorpro.com
--	---