

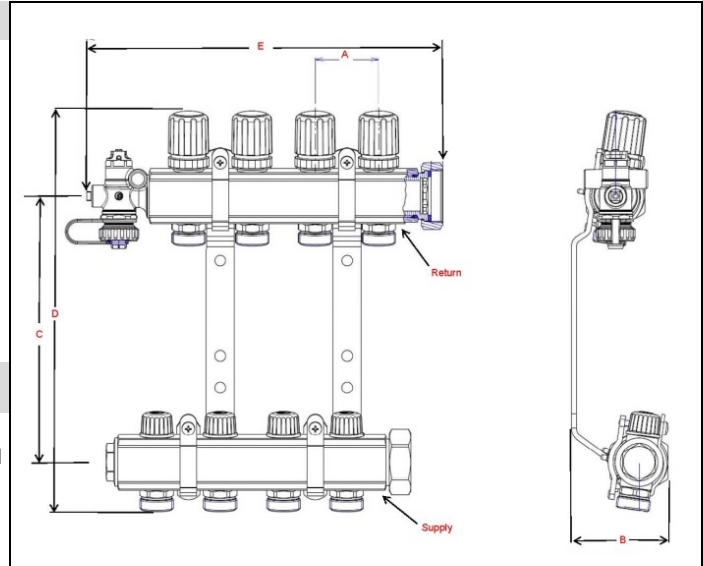
TruFLOW™ Classic Manifold Assembly



Submittal information
Revision G: Oct. 18, 2018

Project information	
Job name:	
Location:	Part no. ordered:
Engineer:	Date submitted:
Contractor:	Submitted by:
Manufacturer's representative:	Approved by:

Technical data	
Material:	UNS C38500 brass
Manifold size:	1¼"
Loop Cv (flow with valve wide open):	1.9 Cv
Manifold body threaded connections:	ISO 228-G 1¼" (R32)
Manifold loop threaded connections:	ISO 228-G ¾" (R20)
Maximum working pressure:	145 psi (10 bar)
Maximum fluid temperature:	220°F (104°C)
Maximum fluid flow rate:	21.0 gpm



Product information and application use

The Uponor TruFLOW™ Classic Manifold system comes fully assembled. The manifold is mounted on a durable bracket with an end cap on the supply manifold and an end cap with vent and drain on the return manifold. R32 unions on the inlet side of the manifolds allow connections to any manifold adapters offered by Uponor. Flow balancing is controlled through manifold adjustments to the balancing valve on the supply manifold.

✓ Description	Part number	A	B	C	D	E	Weight
TruFLOW Classic Manifold Assembly, B&I, 2-loop	A2610200	1.94"	3.46"	8.25"	12.60"	7.83"	6.37 lbs.
TruFLOW Classic Manifold Assembly, B&I, 3-Loop	A2610300	1.94"	3.46"	8.25"	12.60"	10.34"	8.94 lbs.
TruFLOW Classic Manifold Assembly, B&I, 4-Loop	A2610400	1.94"	3.46"	8.25"	12.60"	11.82"	10.71 lbs.
TruFLOW Classic Manifold Assembly, B&I, 5-Loop	A2610500	1.94"	3.46"	8.25"	12.60"	14.40"	13.70 lbs.
TruFLOW Classic Manifold Assembly, B&I, 6-Loop	A2610600	1.94"	3.46"	8.25"	12.60"	16.16"	14.32 lbs.
TruFLOW Classic Manifold Assembly, B&I, 7-Loop	A2610700	1.94"	3.46"	8.25"	12.60"	17.80"	16.11 lbs.
TruFLOW Classic Manifold Assembly, B&I, 8-Loop	A2610800	1.94"	3.46"	8.25"	12.60"	20.30"	17.89 lbs.
TruFLOW Classic Manifold Assembly, B&I, 10-Loop	A2611000	1.94"	3.46"	8.25"	12.60"	23.14"	22.85 lbs.

Installation

TruFLOW Classic manifolds are completely assembled and ready for installation right out of the box. Use the TruFLOW Balancing Hex Key (A2620002) on the internal balancing valves of the supply manifold. Manifold is shipped with the appropriate number of TruFLOW Manifold Actuator Adapters (A2630028). Refer to the TruFLOW Classic Manifold Instruction Sheet for further information.

Accessories and replacement parts

A2610020: TruFLOW Loop Thermometer	A2620002: TruFLOW Balancing Hex Key	A2631250: TruFLOW Manifold S&R Ball Valves
A2610100: TruFLOW Manifold Extension Kit	A2400032: Basic End Cap Gasket, spare part, R32	A2631251: Manifold S&R Ball Valves with Temperature Gauges, set of 2
A3010522: Thermal Actuator, 4-wire	A2620008: Replacement O-ring for 1¼" BSP Connection	A2631252: Manifold S&R Ball Valves, set of 2
A3020416: Thermal Actuator, 2-wire	A2620009: Replacement O-ring for TruFLOW Temperature/Flow Meter	A2640027: TruFLOW Visual Flow Meter, 0.25 to 2.0 gpm
A2620021: TruFLOW Classic Manifold Mounting Bracket, single bracket		

Standards	Codes	Listings
ASTM F877	IMC; UMC; NBC of Canada	ESR-1529; NSF-RFH

Related applications	Contact information		
Radiant heating and cooling systems Snow and ice melting systems Permafrost prevention systems Turf conditioning systems	<table border="0"> <tr> <td>Uponor Inc. 5925 148th Street West Apple Valley, MN 55124 USA Phone: 800.321.4739 Fax: 952.891.2008 uponorpro.com</td> <td>Uponor Ltd. 6510 Kennedy Road Mississauga, ON L5T 2X4 CANADA Phone: 888.994.7726 Fax: 800.638.9517 uponorpro.com</td> </tr> </table>	Uponor Inc. 5925 148 th Street West Apple Valley, MN 55124 USA Phone: 800.321.4739 Fax: 952.891.2008 uponorpro.com	Uponor Ltd. 6510 Kennedy Road Mississauga, ON L5T 2X4 CANADA Phone: 888.994.7726 Fax: 800.638.9517 uponorpro.com
Uponor Inc. 5925 148 th Street West Apple Valley, MN 55124 USA Phone: 800.321.4739 Fax: 952.891.2008 uponorpro.com	Uponor Ltd. 6510 Kennedy Road Mississauga, ON L5T 2X4 CANADA Phone: 888.994.7726 Fax: 800.638.9517 uponorpro.com		