

TruFLOW™ Classic Manifold Assembly

Submittal information

Revision I: Jan. 7, 2020

Project information

Job name:

Location:

Engineer:

Contractor:

Manufacturer's representative:

Part no. ordered:

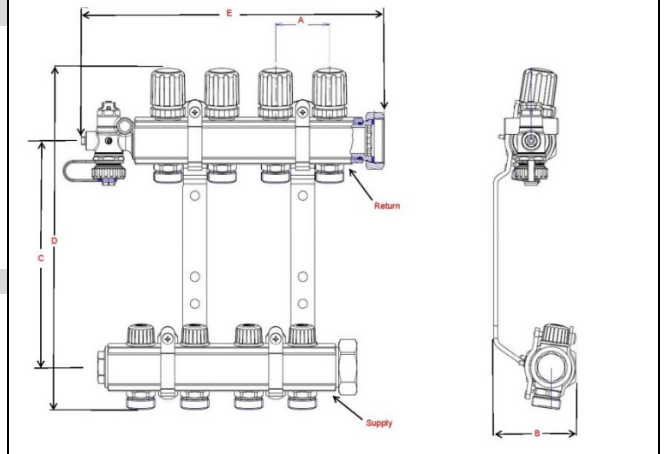
Date submitted:

Submitted by:

Approved by:

Technical data

Material:	UNS C38500 brass
Manifold size:	1¼"
Loop Cv (flow with valve wide open):	1.9 Cv
Manifold body threaded connections:	ISO 228-G 1¼" (R32)
Manifold loop threaded connections:	ISO 228-G ¾" (R20)
Maximum working pressure:	145 psi (10 bar)
Maximum fluid temperature:	220°F (104°C)
Maximum fluid flow rate:	21.0 gpm



Product information and application use

The Uponor TruFLOW™ Classic Manifold system comes fully assembled. The manifold is mounted on a durable bracket with an end cap on the supply manifold and an end cap with vent and drain on the return manifold. R32 unions on the inlet side of the manifolds allow connections to any manifold adapters offered by Uponor. Flow balancing is controlled through manifold adjustments to the balancing valve on the supply manifold.

✓ Description	Part number	A	B	C	D	E	Weight
TruFLOW Classic Manifold Assembly, B&I, 2-loop	A2610200	1.94"	3.46"	8.25"	12.60"	7.83"	6.37 lbs.
TruFLOW Classic Manifold Assembly, B&I, 3-loop	A2610300	1.94"	3.46"	8.25"	12.60"	10.34"	8.94 lbs.
TruFLOW Classic Manifold Assembly, B&I, 4-loop	A2610400	1.94"	3.46"	8.25"	12.60"	11.82"	10.71 lbs.
TruFLOW Classic Manifold Assembly, B&I, 5-loop	A2610500	1.94"	3.46"	8.25"	12.60"	14.40"	13.70 lbs.
TruFLOW Classic Manifold Assembly, B&I, 6-loop	A2610600	1.94"	3.46"	8.25"	12.60"	16.16"	14.32 lbs.
TruFLOW Classic Manifold Assembly, B&I, 7-loop	A2610700	1.94"	3.46"	8.25"	12.60"	17.80"	16.11 lbs.
TruFLOW Classic Manifold Assembly, B&I, 8-loop	A2610800	1.94"	3.46"	8.25"	12.60"	20.30"	17.89 lbs.
TruFLOW Classic Manifold Assembly, B&I, 10-loop	A2611000	1.94"	3.46"	8.25"	12.60"	23.14"	22.85 lbs.
TruFLOW Classic Manifold Assembly, B&I, 12-loop	A2611200	1.94"	3.46"	8.25"	12.60"	27.07"	27.81 lbs.

Installation

TruFLOW Classic manifolds are completely assembled and ready for installation right out of the box. Use the TruFLOW Balancing Hex Key (A2620002) on the internal balancing valves of the supply manifold. Manifold is shipped with the appropriate number of TruFLOW Manifold Actuator Adapters (A2630028). Refer to the TruFLOW Classic Manifold Instruction Sheet for further information.

Standards

ASTM F877; ISO 228-G 1¼ BSP; ISO 228-G ¾ BSP

Codes

UMC; IMC; IRC; NPC of Canada

Listings

NSF-rfh

Accessories

- A2610020: TruFLOW Loop Thermometer
- A2610100: TruFLOW Manifold Extension Kit
- A3010522: Thermal Actuator, 4-wire
- A3020416: Thermal Actuator, 2-wire
- A2620021: TruFLOW Classic Manifold Mounting Bracket, single bracket
- A2620002: TruFLOW Balancing Hex Key
- A2400032: Basic End Cap Gasket, spare part, R32
- A2620008: Replacement O-ring for 1¼" BSP Connection
- A2620009: Replacement O-ring for TruFLOW Temperature/Flow Meter
- A2631250: TruFLOW Manifold S&R Ball Valves
- A2631251: Manifold S&R Ball Valves with Temperature Gauges, set of 2
- A2631252: Manifold S&R Ball Valves, set of 2
- A2640027: TruFLOW Visual Flow Meter, 0.25 to 2.0 gpm

Related applications

- Radiant heating and cooling systems
- Snow and ice melting systems
- Permafrost prevention systems
- Turf conditioning systems

Contact information

Uponor Inc.
5925 148th Street West
Apple Valley, MN 55124 USA
Phone: 800.321.4739
Fax: 952.891.2008
uponorpro.com

Uponor Ltd.
6510 Kennedy Road
Mississauga, ON L5T 2X4 CANADA
Phone: 888.994.7726
Fax: 800.638.9517
uponorpro.com