

## TruFLOW™ Jr. Assembly with Balancing Valves and Valveless

Submittal information  
Revision D: Oct. 18, 2018

### Project information

Job name:

Location:

Part no. ordered:

Engineer:

Date submitted:

Contractor:

Submitted by:

Manufacturer's representative:

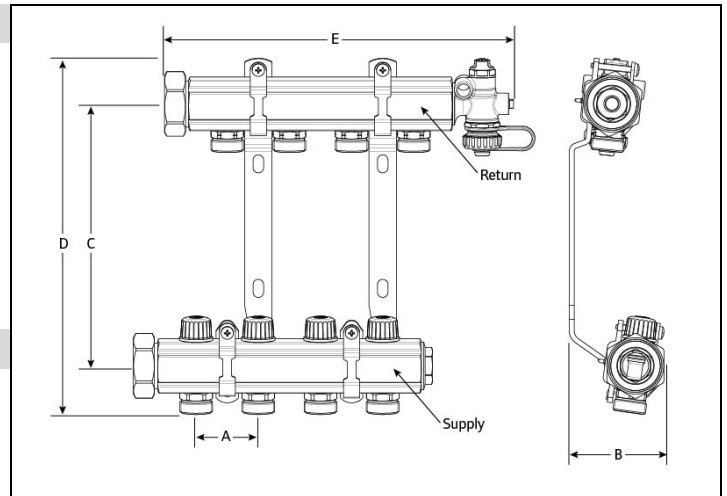
Approved by:

### Technical data

Material:	UNS C3850 brass
Manifold size:	1"
Loop Cv (valve wide open):	1.9
Manifold body threaded connections:	R32
Manifold loop threaded connections:	R20
Maximum working pressure:	145 psi
Maximum fluid temperature:	220°F (104°C)
Maximum fluid flow rate:	14.0 gpm

### Product information and application use

The TruFLOW™ Jr. Assembly with Balancing Valves and Valveless is fully assembled and ready for installation. Use the TruFLOW Balancing Hex Key on the internal balancing valves of the supply manifold to balance the loops across the manifold. The manifold body ends have R32 unions and the loop outlets have R20 male threads.



✓ Description	Part number	A	B	C	D	E	Weight
TruFLOW Jr. Assembly, Balancing Valves and Valveless, 2-loop	A2660200	1.97"	3.00"	8.25"	11.41"	7.60"	5.20 lbs.
TruFLOW Jr. Assembly, Balancing Valves and Valveless, 3-loop	A2660300	1.97"	3.00"	8.25"	11.41"	9.50"	7.20 lbs.
TruFLOW Jr. Assembly, Balancing Valves and Valveless, 4-loop	A2660400	1.97"	3.00"	8.25"	11.41"	11.50"	9.60 lbs.
TruFLOW Jr. Assembly, Balancing Valves and Valveless, 5-loop	A2660500	1.97"	3.00"	8.25"	11.41"	13.50"	11.50 lbs.
TruFLOW Jr. Assembly, Balancing Valves and Valveless, 6-loop	A2660600	1.97"	3.00"	8.25"	11.41"	15.50"	12.80 lbs.
TruFLOW Jr. Assembly, Balancing Valves and Valveless, 7-loop	A2660700	1.97"	3.00"	8.25"	11.41"	17.40"	14.10 lbs.
TruFLOW Jr. Assembly, Balancing Valves and Valveless, 8-loop	A2660800	1.97"	3.00"	8.25"	11.41"	19.30"	15.20 lbs.

### Installation

TruFLOW Jr. Manifolds are fully assembled ready for installation. The TruFLOW Balancing Hex Key is used on the internal balancing valves of the supply manifold. Refer to the Uponor TruFLOW Jr. Manifold Instruction Sheet for further information.

### Standards

ASTM F877; R32: ISO 228-G 1¼; R20: ISO 228-G ¾ B

### Codes

UMC; IMC; IRC; NPC of Canada

### Listings

NSF-rfh

### Accessories

TruFLOW Jr. Manifold Bracket: A2640021; End Cap with Vent: A2803250; Basic End Cap: A2080032

### Related applications

Radiant heating and cooling systems  
Snow and ice melting systems  
Permafrost prevention systems  
Turf conditioning systems

### Contact information

Uponor Inc.  
5925 148<sup>th</sup> Street West  
Apple Valley, MN 55124 USA  
Phone: 800.321.4739  
Fax: 952.891.2008  
uponorpro.com

Uponor Ltd.  
6510 Kennedy Road  
Mississauga, ON L5T 2X4 CANADA  
Phone: 888.994.7726  
Fax: 800.638.9517  
uponorpro.com