

TruFLOW™ Jr. Assembly with Balancing Valves and Valveless

Submittal information
Revision E: Jan. 6, 2020

Project information

Job name:

Location:

Part no. ordered:

Engineer:

Date submitted:

Contractor:

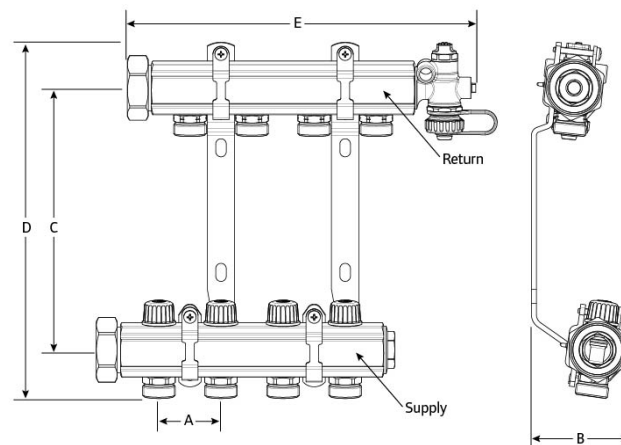
Submitted by:

Manufacturer's representative:

Approved by:

Technical data

Material:	UNS C3850 brass
Manifold size:	1"
Loop Cv (valve wide open):	1.9
Manifold body threaded connections:	R32
Manifold loop threaded connections:	R20
Maximum working pressure:	145 psi
Maximum fluid temperature:	220°F (104°C)
Maximum fluid flow rate:	14.0 gpm



Product information and application use

The TruFLOW™ Jr. Assembly with Balancing Valves and Valveless is fully assembled and ready for installation. Use the TruFLOW Balancing Hex Key on the internal balancing valves of the supply manifold to balance the loops across the manifold. The manifold body ends have R32 unions, and the loop outlets have R20 male threads.

✓ Description	Part number	A	B	C	D	E	Weight
TruFLOW Jr. Assembly, Balancing Valves and Valveless, 2-loop	A2660200	1.97"	3.00"	8.25"	11.41"	7.60"	5.20 lbs.
TruFLOW Jr. Assembly, Balancing Valves and Valveless, 3-loop	A2660300	1.97"	3.00"	8.25"	11.41"	9.50"	7.20 lbs.
TruFLOW Jr. Assembly, Balancing Valves and Valveless, 4-loop	A2660400	1.97"	3.00"	8.25"	11.41"	11.50"	9.60 lbs.
TruFLOW Jr. Assembly, Balancing Valves and Valveless, 5-loop	A2660500	1.97"	3.00"	8.25"	11.41"	13.50"	11.50 lbs.
TruFLOW Jr. Assembly, Balancing Valves and Valveless, 6-loop	A2660600	1.97"	3.00"	8.25"	11.41"	15.50"	12.80 lbs.
TruFLOW Jr. Assembly, Balancing Valves and Valveless, 7-loop	A2660700	1.97"	3.00"	8.25"	11.41"	17.40"	14.10 lbs.
TruFLOW Jr. Assembly, Balancing Valves and Valveless, 8-loop	A2660800	1.97"	3.00"	8.25"	11.41"	19.30"	15.20 lbs.

Installation

TruFLOW Jr. Manifolds are fully assembled ready for installation. The TruFLOW Balancing Hex Key is used on the internal balancing valves of the supply manifold. Refer to the Uponor TruFLOW Jr. Manifold Instruction Sheet for further information.

Standards

ASTM F877; ISO 228-G 1¼ BSP; ISO 228-G ¾ BSP

Codes

UMC; IMC; IRC; NPC of Canada

Listings

NSF-rfh

Accessories

A2640021: TruFLOW Jr. Manifold Bracket

A2803250: End Cap with Vent

A2080032: Basic End Cap

Related applications

Radiant heating and cooling systems
Snow and ice melting systems
Permafrost prevention systems
Turf conditioning systems

Contact information

Uponor Inc.
5925 148th Street West
Apple Valley, MN 55124 USA
Phone: 800.321.4739
Fax: 952.891.2008
uponorpro.com

Uponor Ltd.
6510 Kennedy Road
Mississauga, ON L5T 2X4 CANADA
Phone: 888.994.7726
Fax: 800.638.9517
uponorpro.com