

TruFLOW™ Visual Flow Meter

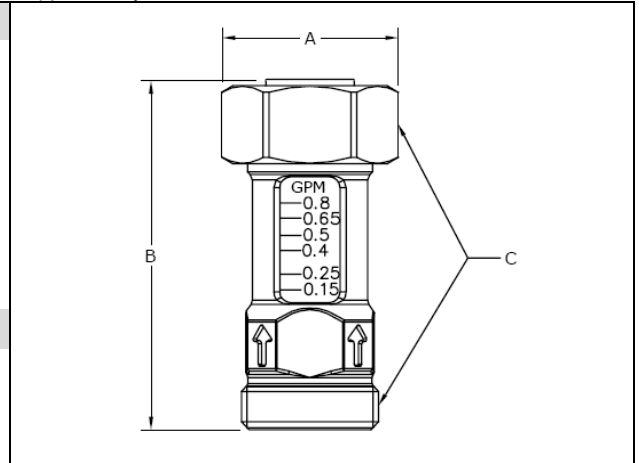
Submittal information
Revision D: Jan. 22, 2020

Project information

Job name:	
Location:	Part no. ordered:
Engineer:	Date submitted:
Contractor:	Submitted by:
Manufacturer's representative:	Approved by:

Technical data

Material:	UNS C3850 brass / Pyrex® glass
Maximum working pressure/temperature:	145 psi at 220°F (104°C)
Precision:	±0.05 gpm
Measuring range:	0.15 to 0.8 gpm 0.25 to 2.0 gpm
Connection:	R20 QS-style



Product information and application use

Use the TruFLOW™ Visual Flow Meter on TruFLOW Jr. and TruFLOW Classic Manifolds to accurately measure the flow of hydronic radiant loops. The meter is available in a low range (A2640015), which measures 0.15 to 0.8 gpm and a high range (A2640027), which measures 0.25 to 2.0 gpm.

✓	Description	Part number	A	B	C	Cv	Weight
	TruFLOW Visual Flow Meter, 0.15 to 0.8 gpm	A2640015	1.20"	2.66"	R20	1.23	0.28 lbs.
	TruFLOW Visual Flow Meter, 0.25 to 2.0 gpm	A2640027	1.20"	2.66"	R20	1.51	0.28 lbs.

Installation

Assemble the TruFLOW Visual Flow Meter on the return manifold and observe that the water flows in the same direction as the arrow on the body of the meter. The TruFLOW Visual Flow Meter may be installed in a vertical or horizontal position. Do not install the TruFLOW Visual Flow Meter upside-down (arrow pointing downward) as it will affect the accuracy of the reading. Do not use any solvent-based cleaner to clean the measuring windows.

Standards

ISO 228-G 3/4" BSP

Codes

UMC; IMC; IRC; NPC of Canada

Listings

N/A

Related applications

Radiant heating and cooling systems
Snow and ice melting systems
Permafrost protection systems
Turf conditioning systems

Contact information

Uponor Inc.
5925 148th Street West
Apple Valley, MN 55124 USA
Phone: 800.321.4739
Fax: 952.891.2008
uponorpro.com

Uponor Ltd.
6510 Kennedy Road
Mississauga, ON L5T 2X4 CANADA
Phone: 888.994.7726
Fax: 800.638.9517
uponorpro.com