

TruFLOW™ Jr. Manifold Mounting Bracket

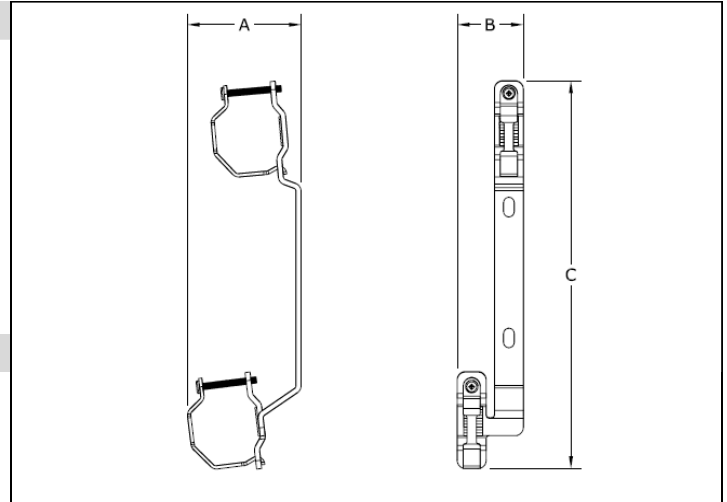
Submittal Information
Revision A: March. 4, 2008

Project Information

Job Name:	
Location:	Part No. Ordered:
Engineer:	Date Submitted:
Contractor:	Submitted By:
Manufacturer's Representative:	Approved By:

Technical Data

Material: Metal



Product Information and Application Use

The TruFLOW™ Jr. Manifold Mounting Bracket is used to mount the TruFLOW Jr. Manifolds. Brackets are made of durable metal and are offset front-to-back and side-to-side for ease of installation. Two brackets are required for each manifold location.

✓ Description	Part Number	A	B	C	Weight
TruFLOW Jr. Manifold Mounting Bracket, single bracket	A2640006	2.95"	1.77"	10.88"	0.69 lbs.

Installation

Attach the Uponor TruFLOW Jr. Manifold to the mounting bracket. Attach manifold and bracket assembly to the desired mounting surface. Use only with Uponor TruFLOW Jr. Manifolds. Refer to the TruFLOW Jr. Manifold Instruction Sheet for additional information.

Standards

N/A

Codes

N/A

Listings

N/A

Related Applications

Radiant Heating and Cooling Systems

Contact Information

Uponor, Inc.
5925 148th Street West
Apple Valley, MN 55124 USA
Phone: (800) 321-4739
Fax: (952) 891-2008
www.uponor-usa.com

Uponor Ltd.
655 Park Street
Regina, SK S4N 5N1 CANADA
Phone: (888) 994-7726
Fax: (800) 638-9517
www.uponor.ca