

TruFLOW™ Manifold Loop Temperature Gauge

Submittal Information
Revision B: April 29, 2013

Project Information

Job Name:

Location:

Part No. Ordered:

Engineer:

Date Submitted:

Contractor:

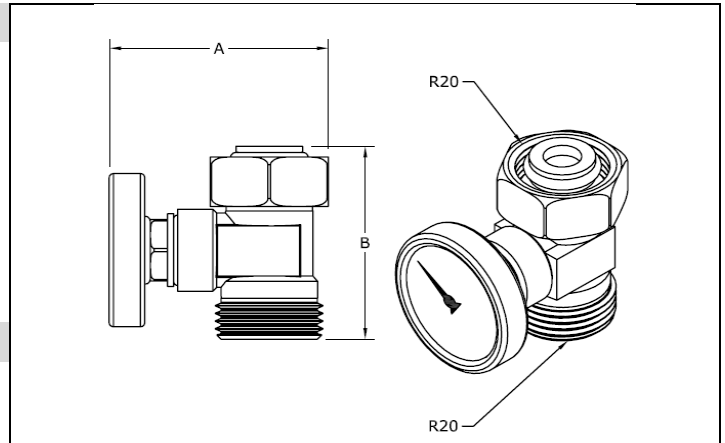
Submitted By:

Manufacturer's Representative:

Approved By:

Technical Data

Material: UNS C3850 Brass
Maximum Working Pressure: 145 psi
Maximum Temperature: 220°F (104°C)
Connection: R20 QS-style



Product Information and Application Use

TruFLOW™ Manifold Loop Temperature Gauge comes with a QS20 female union on one end and a QS20 male on the other end. Part includes temperature gauge well and removable temperature gauge.

✓ Description	Part Number	A	B	Weight
TruFLOW Manifold Loop Temperature Gauge	A2610020	2.40"	1.97"	0.5 lbs.
Temperature Gauge with Well, replacement part	A2610120	1.57"	1.57"	0.1 lbs.

Installation

Install the TruFLOW Manifold Loop Temperature Gauge Nipple on the R20 loop outlet on the return side of the TruFLOW Manifold assembly. Install the desired fitting assembly on the outlet of the TruFLOW Manifold Loop Temperature Gauge Nipple. Use only TruFLOW Manifolds. Accessories: Temperature Gauge with Well, replacement part (A2610120). Refer to the Uponor Radiant Installation Handbook for additional information.

Standards

ASTM F877; R20 M: ISO 228-G ¾" B

Codes

N/A

Listings

NSF-rfh

Related Applications

Radiant Heating and Cooling Systems

Contact Information

Uponor, Inc.
5925 148th Street West
Apple Valley, MN 55124 USA
Phone: (800) 321-4739
Fax: (952) 891-2008
www.uponorpro.com

Uponor Ltd.
2000 Argentia Road, Plaza 1, Suite 200
Mississauga, ON L5N 1W1 CANADA
Phone: (888) 994-7726
Fax: (800) 638-9517
www.uponorpro.com