

## TruFLOW™ Manifold Loop Temperature Gauge

Submittal information  
Revision C: Jan. 22, 2020

### Project information

Job name:

Location:

Part no. ordered:

Engineer:

Date submitted:

Contractor:

Submitted by:

Manufacturer's representative:

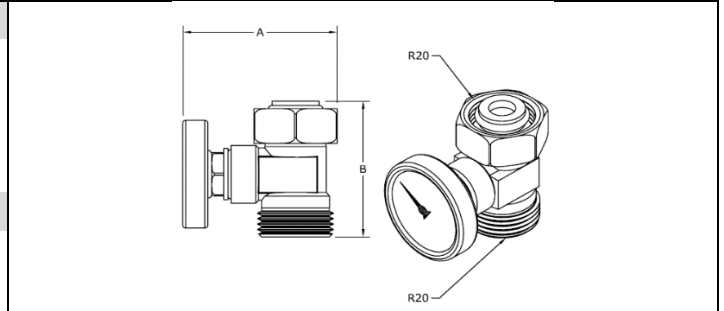
Approved by:

### Technical data

Material:	UNS C3850 brass
Maximum working pressure:	145 psi
Maximum temperature:	220°F (104°C)
Connection:	R20 QS-style

### Product information and application use

TruFLOW™ Manifold Loop Temperature Gauge comes with a QS20 female union on one end and a QS20 male on the other end. Part includes temperature gauge well and removable temperature gauge.



✓ Description	Part number	A	B	Weight
TruFLOW Manifold Loop Temperature Gauge	A2610020	2.40"	1.97"	0.5 lbs.
Temperature Gauge with Well, replacement part	A2610120	1.57"	1.57"	0.1 lbs.

### Installation

Install the TruFLOW Manifold Loop Temperature Gauge Nipple on the R20 loop outlet on the return side of the TruFLOW Manifold assembly. Install the desired fitting assembly on the outlet of the TruFLOW Manifold Loop Temperature Gauge Nipple. Use only TruFLOW manifolds. Accessories: Temperature Gauge with Well, replacement part (A2610120). Refer to the Uponor Radiant Installation Handbook for additional information.

### Standards

ISO 228-G 3/4" BSP

### Codes

UMC; IMC; IRC; NPC of Canada

### Listings

N/A

### Related applications

Radiant heating and cooling systems

### Contact information

Uponor Inc.  
5925 148<sup>th</sup> Street West  
Apple Valley, MN 55124 USA  
Phone: 800.321.4739  
Fax: 952.891.2008  
uponorpro.com

Uponor Ltd.  
6510 Kennedy Road  
Mississauga, ON L5T 2X4 CANADA  
Phone: 888.994.7726  
Fax: 800.638.9517  
uponorpro.com