

## TruFLOW™ Classic Manifold Offset Union

Submittal information  
Revision B: May 6, 2019

### Project information

Job name:

Location:

Engineer:

Contractor:

Manufacturer's representative:

Part no. ordered:

Date submitted:

Submitted by:

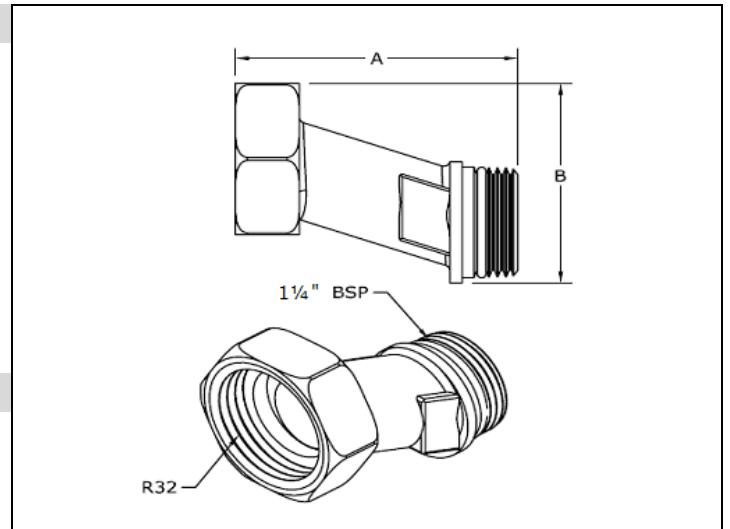
Approved by:

### Technical data

Material: UNS C3850 brass  
Maximum working pressure: 145 psi  
Maximum temperature: 220°F (104°C)  
Connection: 1¼" male BSP x R32

### Product information and application use

TruFLOW™ classic manifold offset unions feature an R32 union by 1¼" BSP male connection for easy alignment of the supply and return piping at the manifold.



✓ Description	Part Number	A	B	Weight
TruFLOW Classic Manifold Offset Union, R32 Union x 1¼" BSP	A2620045	2.96"	2.30"	0.60 lbs.

### Installation

Use the TruFLOW Classic Manifold Offset Union to make the connection between TruFLOW manifolds and R32 manifold adapters. Remove the existing straight union assembly from the manifold to install this offset union. Use silicone oil on the male threads to ease installation. Use only the following Uponor TruFLOW manifold accessories: Replacement O-ring for 1¼" BSP Connections (A2620008) and Replacement Gasket for R32 Union Connections (A2620005). For more information, refer to the Uponor TruFLOW Classic Manifold Instruction Sheet.

### Standards

ASTM F877; R32: ISO 228-G 1¼" B

### Codes

N/A

### Listings

NSF-rfh

### Related applications

Radiant heating and cooling systems

### Contact information

Uponor Inc.  
5925 148<sup>th</sup> Street West  
Apple Valley, MN 55124 USA  
Phone: 800.321.4739  
Fax: 952.891.2008  
uponorpro.com

Uponor Ltd.  
6510 Kennedy Road  
Mississauga, ON L5T 2X4 CANADA  
Phone: 888.994.7726  
Fax: 800.638.9517  
uponorpro.com