

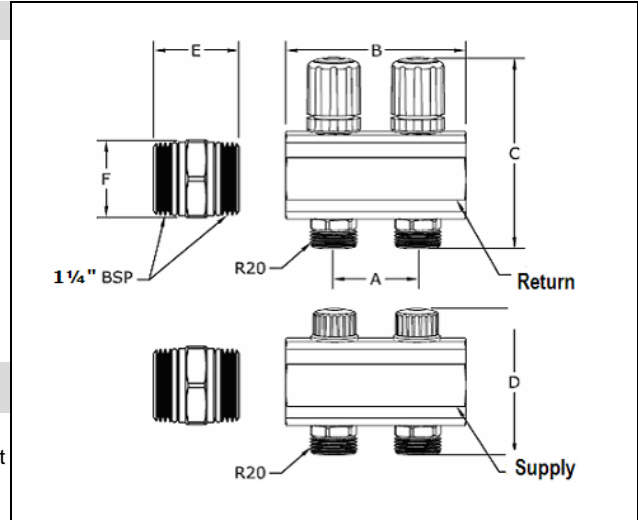
# TruFLOW™ Classic Manifold Extension Kit



Submittal information  
Revision C: Oct. 18, 2018

Project information	
Job name:	
Location:	Part no. ordered:
Engineer:	Date submitted:
Contractor:	Submitted by:
Manufacturer's representative:	Approved by:

Technical data	
Material:	UNS C38500 Brass
Manifold size:	1 1/4"
Loop Cv (flow with valve wide open):	1.9 Cv
Manifold body threaded connections:	ISO 228-G 1 1/4" (R32)
Manifold loop threaded connections:	ISO 228-G 3/4" (R20)
Maximum working pressure:	145 psi (1,000 kPa)
Maximum fluid temperature:	220°F (104°C)
Maximum fluid flow rate:	21.0 gpm



**Product information and application use**

The Uponor TruFLOW™ Classic Manifold Extension Kit is designed for easy, inline extension of up to two additional loops for the TruFLOW Classic Manifold Assembly. The kit contains two 1 1/4" BSP nipples, one supply manifold, one return manifold and two loop end caps. Use silicone oil lubricant on the male threads to ease installation.

✓ Description	Part number	A	B	C	D	E	F	Weight
TruFLOW Classic Manifold Extension Kit, 2 loops	A2610100	1.94"	4.61"	4.46"	3.73"	N/A	N/A	5.50 lbs.
TruFLOW Classic Manifold Coupling Nipple, 1 1/4" BSP x 1 1/4" BSP	A2621010	N/A	N/A	N/A	N/A	1.42"	1.76"	0.30 lbs.

**Installation**

Use the supplied TruFLOW Classic Manifold Coupling Nipple to attach the TruFLOW Manifold Extension Kit to the desired TruFLOW Manifold. Use the TruFLOW Balancing Hex Key (A2620002) on the internal balancing valves of the supply manifold. Manifold is shipped with the appropriate number of TruFLOW Manifold Actuator Adapters (A2630028). Refer to the TruFLOW Classic Manifold Instruction Sheet for further information.

Additional accessories and replacement parts		
A2610020: TruFLOW Loop Thermometer	A2620002: TruFLOW Balancing Hex Key	A2620009: Replacement O-ring for TruFLOW/Temperature Meter
A2631250: TruFLOW Manifold S&R Ball Valves	A2400032: Basic End Cap Gasket, spare part, R32	A2620008: Replacement O-ring for 1 1/4" BSP Connection
A3010522: Thermal Actuator	A2650004: Replacement O-ring for 1 1/2" BSP Connection	
A2620006: TruFLOW Classic Manifold Bracket	A2620007: Silicone Oil, 1.76 oz. bottle, optional part	

Standards	Codes	Listings
ASTM F877; R20: ISO 228-G 3/4" B	IMC; UMC; NBC of Canada	ESR-1529; NSF-RFH

Related applications	Contact information
Radiant heating and cooling systems Snow and ice melting systems Permafrost prevention systems Turf conditioning systems	<p>Uponor Inc. 5925 148<sup>th</sup> Street West Apple Valley, MN 55124 USA Phone: 800.321.4739 Fax: 952.891.2008 uponorpro.com</p> <p>Uponor Ltd. 6510 Kennedy Road Mississauga, ON L5T 2X4 CANADA Phone: 888.994.7726 Fax: 800.638.9517 uponorpro.com</p>