

TruFLOW™ Manifold Elbow Union

Submittal Information
Revision B: June 2, 2014

Project Information

Job Name:

Location:

Part No. Ordered:

Engineer:

Date Submitted:

Contractor:

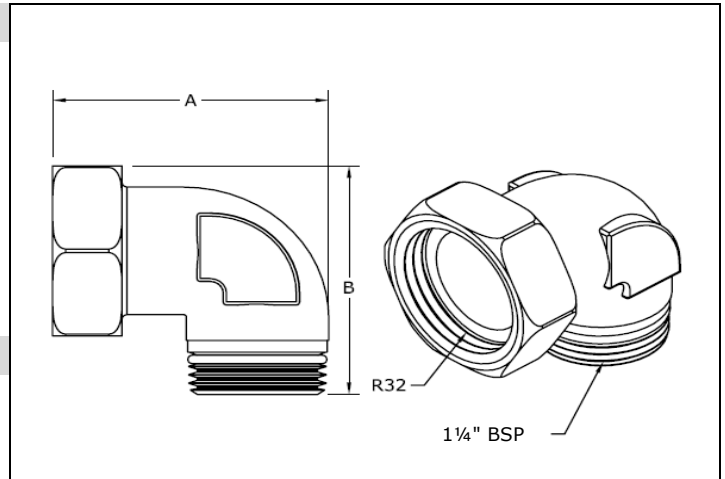
Submitted By:

Manufacturer's Representative:

Approved By:

Technical Data

Material:	UNS C3850 Brass
Maximum Working Pressure:	145 psi
Maximum Temperature:	220°F (104°C)
Connection:	1¼" Male BSP x R32



Product Information and Application Use

The TruFLOW™ Modular Manifold Elbow Union features a R32 union on one side with 1¼" male BSP thread on the other side. Use any number of R32 manifold adapters from the R32 union connections.

✓ Description

TruFLOW Classic Manifold Elbow Union, R32 Union x 1¼" BSP

Part Number

A2620090

A

2.67"

B

2.52"

Weight

0.68 lbs.

Installation

Use the TruFLOW Modular Manifold Elbow Union to make the connection between TruFLOW Manifolds and R32 Manifold Adapters. Remove the existing straight union assembly from the manifold in order to install the Elbow Union. Use Uponor Silicone Oil on the male threads to ease installation. Use only with TruFLOW Manifolds. Accessories include Replacement O-ring for 1¼" BSP Connections (A2620008) and Replacement Gasket for R32 Union Connections (A2620005). Refer to the Uponor Radiant Installation Handbook for additional information.

Standards

ASTM F877

Codes

N/A

Listings

R32: ISO 228-G 1¼"; NSF-rfh

Related Applications

Radiant Heating and Cooling Systems
Snow and Ice Melting Systems
Turf Conditioning Systems
Permafrost Protection Systems

Contact Information

Uponor, Inc.
5925 148th Street West
Apple Valley, MN 55124 USA
Phone: 800.321.4739
Fax: 952.891.2008
www.uponorpro.com

Uponor Ltd.
2000 Argentia Rd., Plaza 1, Ste. 200
Mississauga, ON L5N 1W1
Phone: 888.994.7726
Fax: 800.638.9517
www.uponorpro.com