

TruFLOW™ Manifold Elbow Union

Submittal information
Revision C: Jan. 14, 2020

Project information

Job name:

Location:

Engineer:

Contractor:

Manufacturer's representative:

Part no. ordered:

Date submitted:

Submitted by:

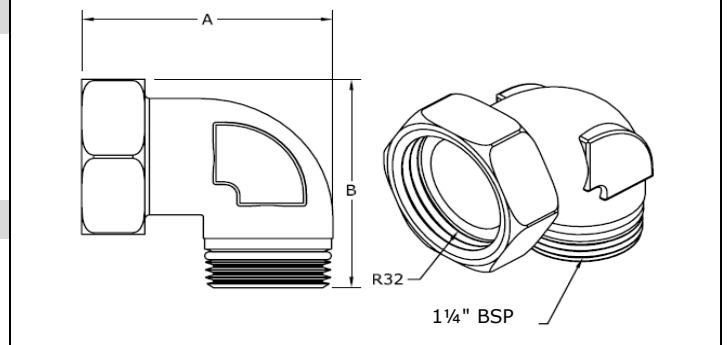
Approved by:

Technical data

Material:	UNS C3850 brass
Maximum working pressure:	145 psi
Maximum temperature:	220°F (104°C)
Connection:	1¼" male BSP x R32

Product information and application use

The TruFLOW™ Modular Manifold Elbow Union features a R32 union on one side with 1¼" male BSP thread on the other side. Use any number of R32 manifold adapters from the R32 union connections.



✓ Description	Part number	A	B	Weight
TruFLOW Classic Manifold Elbow Union, R32 Union x 1¼" BSP	A2620090	2.67"	2.52"	0.68 lbs.

Installation

Use the TruFLOW Modular Manifold Elbow Union to make the connection between TruFLOW Manifolds and R32 Manifold Adapters. Remove the existing straight union assembly from the manifold in order to install the Elbow Union. Use Uponor Silicone Oil on the male threads to ease installation. Use only with TruFLOW Manifolds. Accessories include Replacement O-ring for 1¼" BSP Connections (A2620008) and Replacement Gasket for R32 Union Connections (A2620005). Refer to the Uponor Radiant Installation Handbook for additional information.

Standards

ISO 228-G 1¼" BSP

Codes

UMC; IMC; IRC; NPC of Canada

Listings

N/A

Related applications

Radiant heating and cooling systems
Snow and ice melting systems
Turf conditioning systems
Permafrost protection systems

Contact information

Uponor Inc.
5925 148th Street West
Apple Valley, MN 55124 USA
Phone: 800.321.4739
Fax: 952.891.2008
uponorpro.com

Uponor Ltd.
6510 Kennedy Road
Mississauga, ON L5T 2X4 CANADA
Phone: 888.994.7726
Fax: 800.638.9517
uponorpro.com