

## ProPEX® Engineered Polymer (EP) Plug

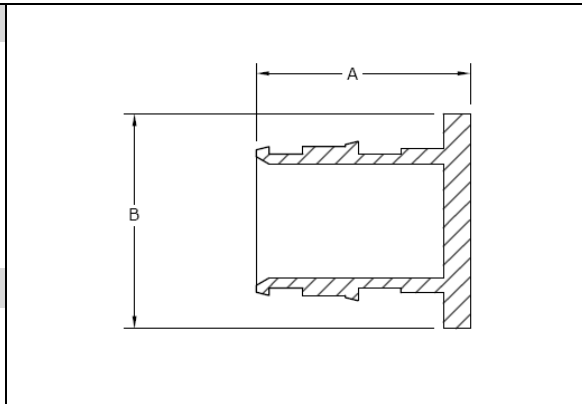
Submittal information  
Revision G: June 21, 2019

### Project information

Job name:	
Location:	Part no. ordered:
Engineer:	Date submitted:
Contractor:	Submitted by:
Manufacturer's representative:	Approved by:

### Technical data

Material:	Engineered polymer (EP)
Maximum temperature (no pressure):	320°F (160°C)
Maximum working temperature/pressure:	210°F (99°C) at 150 psi (1,034 kPa)



### Product information and application use

ProPEX® engineered polymer (EP) plugs terminate Uponor crosslinked polyethylene (PEX-a) tubing ends and are available for use in hot and cold domestic potable water systems, residential fire sprinkler systems and hydronic heating and cooling systems.<sup>1</sup>

✓	Description	Part number	A	B	Weight
	ProPEX EP Plug for ½" PEX	Q4350500	0.85"	0.870"	0.006 lbs.
	ProPEX EP Plug for ¾" PEX*	Q4350750	1.08"	1.187"	0.008 lbs.
	ProPEX EP Plug for 1" PEX*	Q4351000	1.32"	1.350"	0.020 lbs.
	ProPEX EP Plug for 1¼" PEX*	Q4351250	1.65"	1.720"	0.040 lbs.
	ProPEX EP Plug for 1½" PEX	Q4351500	1.91"	2.040"	0.075 lbs.
	ProPEX EP Plug for 2" PEX	Q4352000	2.36"	2.620"	0.156 lbs.

### Installation

Use the appropriate ProPEX ring for PEX-a tubing. Refer to the Uponor Piping Pocket Guide, AquaSAFE™ Residential Fire Sprinkler Installation Guide or Uponor Radiant Installation Handbook for additional information.

### Standards

ASTM E84; ASTM E119; ASTM E814; ASTM F877; ASTM F1960; CAN/CSA B137.5; NSF 14; NSF 61

### Codes

IBC; IMC; IPC; IRC; NPC of Canada; NSPC; UMC; UPC

### Listings

cNSFus-pw; \*cNSFus-pw-fs; cQAlus P321; HUD MR 1269; ICC-ES-PMG-1006; ICC-ES-PMG-1012; \*UL 1821; \*ULC/ORD-C199P; U.P. Code

### Related applications

PEX-a plumbing systems  
Hydronic radiant heating and cooling systems  
Snow and ice melting systems  
Turf conditioning systems  
Permafrost prevention systems  
AquaSAFE fire safety systems

### Contact information

Uponor Inc. 5925 148 <sup>th</sup> Street West Apple Valley, MN 55124 USA Phone: 800.321.4739 Fax: 952.891.2008 uponorpro.com	Uponor Ltd. 6510 Kennedy Road Mississauga, ON L5T 2X4 CANADA Phone: 888.994.7726 Fax: 800.638.9517 uponorpro.com
--	---

<sup>1</sup>ProPEX® is a registered trademark of Uponor, Inc. ProPEX™ is a trademark of Uponor Ltd.