

ProPEX® Brass Elbow

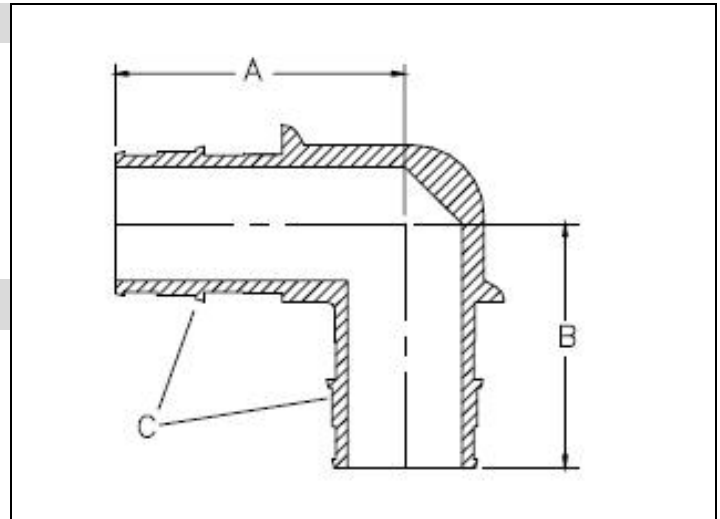
Submittal information
Revision D: March 31, 2017

Project Information

Job name:	
Location:	Part no. ordered:
Engineer:	Date submitted:
Contractor:	Submitted by:
Manufacturer's representative:	Approved by:

Technical data

Material: B16 copper alloy UNS C36000



Product information and application use

Uponor 5/8" ProPEX® brass elbows are available for use in hydronic heating and cooling systems. The elbows are manufactured with the ProPEX fitting for connections to Uponor crosslinked polyethylene (PEX) tubing.¹

✓ Description	Part number	A	B	C	Weight
ProPEX Brass Elbow, 5/8" PEX x 5/8" PEX	Q4710625	1.77"	1.57"	0.625"	0.15 lbs.

Installation

Use 5/8" ProPEX Ring with Stop (Q4690625) for connecting the tubing. Refer to the Uponor ProPEX Connections Instructional Guide for additional information.

Standards

CAN/CSA B137.5; ASTM F877; ASTM F1960

Codes

IBC, IMC, IRC, UMC

Listings

ANSI/NSF 14; ICC ESR 1099; HUD MR 1269

Related applications

Radiant heating and cooling systems
Snow and ice melting systems
Permafrost prevention systems
Turf conditioning systems

Contact information

Uponor, Inc.
5925 148th Street West
Apple Valley, MN 55124 USA
Phone: 800.321.4739
Fax: 952.891.2008
uponorpro.com

Uponor Ltd.
2000 Argentia Rd., Plaza 1, Ste. 200
Mississauga, ON L5N 1W1 CANADA
Phone: 888.994.7726
Fax: 800.638.9517
uponorpro.com

¹ProPEX® is a registered trademark of Uponor, Inc. ProPEX™ is a trademark of Uponor Ltd.