

ProPEX® Lead-free (LF) Brass Fitting Adapter

Submittal information

Revision B: Dec. 6, 2016

Project information

Job name:

Location:

Part no. ordered:

Engineer:

Date submitted:

Contractor:

Submitted by:

Manufacturer's representative:

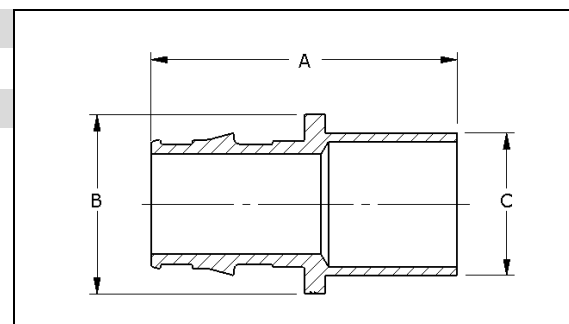
Approved by:

Technical data

Material: C69300 brass

Product information and application use

ProPEX® lead-free (LF) brass fitting adapters transition PEX tubing to copper fittings.¹ These adapters are approved for use in hot and cold domestic potable water systems and hydronic radiant heating systems. One end of the adapter is manufactured with an Uponor ProPEX fitting for connections to Wirsbo hePEX™ tubing or Uponor AquaPEX® tubing. These adapters are safe for direct burial in soil.



✓	Description	Part number	A	B	C	Weight
	ProPEX LF Brass Fitting Adapter, ½" PEX x ½" Copper	LF4505050	1.39"	0.740"	0.625" CU	0.06 lbs.
	ProPEX LF Brass Fitting Adapter, ½" PEX x ¾" Copper	LF4505075	1.64"	0.916"	0.875" CU	0.10 lbs.
	ProPEX LF Brass Fitting Adapter, ¾" PEX x ½" Copper	LF4507550	1.63"	1.125"	0.625" CU	0.13 lbs.
	ProPEX LF Brass Fitting Adapter, ¾" PEX x ¾" Copper	LF4507575	1.88"	1.070"	0.875" CU	0.12 lbs.
	ProPEX LF Brass Fitting Adapter, ¾" PEX x 1" Copper	LF4507510	2.05"	1.187"	1.125" CU	0.18 lbs.
	ProPEX LF Brass Fitting Adapter, 1" PEX x 1" Copper	LF4501010	2.28"	1.345"	1.125" CU	0.19 lbs.
	ProPEX LF Brass Fitting Adapter, 1¼" PEX x 1¼" Copper	LF4501313	2.60"	1.640"	1.375" CU	0.40 lbs.
	ProPEX LF Brass Fitting Adapter, 1½" PEX x 1½" Copper	LF4501515	3.00"	1.750"	1.625" CU	0.50 lbs.
	ProPEX LF Brass Fitting Adapter, 2" PEX x 2" Copper	LF4502020	3.73"	2.600"	2.125" CU	0.80 lbs.

Installation

ProPEX tool and ProPEX rings (sold separately) are required for connecting the PEX tubing. Do not solder within 18" of ProPEX fittings. For more information, refer to the AquaPEX Professional Plumbing Installation Guide or Radiant Floor Heating Installation Handbook.

Standards

ASTM F877; ASTM F1960; CSA B137.5; NSF-14; NSF-61; NSF-372;

Codes

IBC; IRC; IPC; IMC; UPC; UMC; USEHC; NSPC; NPC of Canada

Listings

ANSI/NSF-14; ANSI/NSF-61; cNSF@us-pw-G; cNSFus-pw-G; U.P. Code; IAPMO-ER-0253; ICC-ES-PMG-1006; ICC-ES-PMG-1012; HUD-MR-1269; cQAIus P321

Related applications

PEX plumbing systems
 Radiant heating and cooling systems
 Snow and ice melting systems
 Permafrost protection systems
 Turf conditioning systems

Contact information

Uponor Inc.
 5925 148th Street West
 Apple Valley, MN 55124 USA
 T 800.321.4739
 F 952.891.2008
 uponorpro.com

Uponor Ltd.
 2000 Argentia Rd., Plaza 1, Ste. 200
 Mississauga, ON L5N 1W1 CANADA
 T 888.994.7726
 F 800.638.9517
 uponorpro.com

¹ProPEX® is a registered trademark of Uponor, Inc. ProPEX™ is a trademark of Uponor Ltd.