

ProPEX® Female Threaded Adapter

Submittal information
Revision A: July 1, 2016

Project information

Job name:

Location: Part no. ordered:

Engineer: Date submitted:

Contractor: Submitted by:

Manufacturer's representative: Approved by:

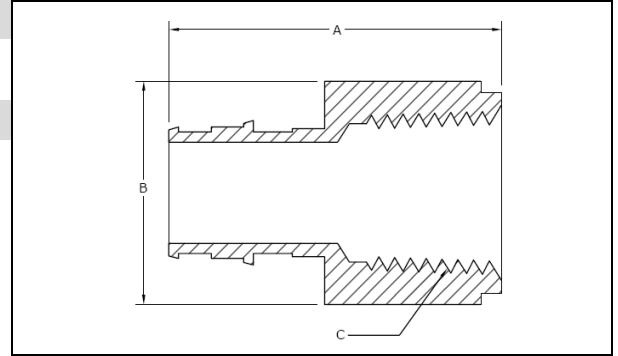
Technical data

Material: C36000 Brass

Product information and application use

ProPEX® Brass Female Threaded Adapter connects Uponor PEX tubing to female NPT threads.¹ Use the adapter in hydronic heating and cooling systems. One end of the adapter is manufactured with the Uponor ProPEX fitting for connection to Wirsbo hePEX™ tubing and the other end is manufactured to adapt a male thread. These adapters are not safe for direct burial in soil.

Note: Not for potable use.



| ✓ Description | Part number | A | B | C | Weight | Equiv. length (ft.) | Cv |
|---|-------------|--------|------------|-----------|-----------|---------------------|------|
| ProPEX Brass Female Threaded Adapter, 5/8" PEX x 3/4" NPT | Q4576375 | 1.910" | 1.187" HEX | 0.75" NPT | 0.20 lbs. | N/A | N/A |
| ProPEX Brass Female Threaded Adapter, 3/4" PEX x 3/4" NPT | Q5577575 | 1.845" | 1.375" HEX | 0.75" NPT | 0.20 lbs. | 2.3 | 12.0 |
| ProPEX Brass Female Threaded Adapter, 3/4" PEX x 1" NPT | Q5577510 | 2.145" | 1.500" HEX | 1" NPT | 0.40 lbs. | 3.6 | 10.8 |
| ProPEX Brass Female Threaded Adapter, 1" PEX x 1" NPT | Q5571010 | 2.318" | 1.500" HEX | 1" NPT | 0.40 lbs. | 3.8 | 19.7 |

Installation

Use the appropriate ProPEX Ring for Uponor PEX tubing (sold separately). Refer to the Uponor Radiant Installation Handbook, Complete Design Assistance Manual (CDAM), or Hydronic Piping Design Assistance Manual (HPDAM) for additional information.

Standards

CAN/CSA B137.5; ASTM F877; ASTM F1960; ASTM E84

Codes

IMC; UMC; IBC; IRC; NPC of Canada

Listings

NSF/ANSI 14; cNSFus-rfh; cQALus; ICC-ES

Related applications

Radiant Heating and Cooling Systems
Snow and Ice Melting Systems
Permafrost Protection Systems
Turf Conditioning Systems
Hydronic Piping Systems

Contact information

Uponor, Inc.
5925 148th Street West
Apple Valley, MN 55124 USA
Phone: 800.321.4739
Fax: 952.891.1409
www.uponorpro.com

Uponor Ltd.
2000 Argentia Rd., Plaza 1, Ste. 200
Mississauga, ON L5N 1W1 CANADA
Phone: 888.994.7726
Fax: 800.638.9517
www.uponorpro.com