

ProPEX® Brass Female Threaded Adapter

Submittal information
Revision B: May 3, 2019

Project information

Job name:

Location: Part no. ordered:

Engineer: Date submitted:

Contractor: Submitted by:

Manufacturer's representative: Approved by:

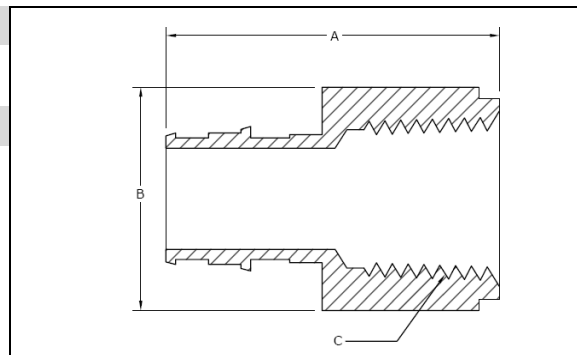
Technical data

Material: C36000 brass

Product information and application use

ProPEX® brass female threaded adapters connect Uponor PEX pipe to female NPT threads.¹ Use the adapters in hydronic heating and cooling systems. One end of the adapter is manufactured with the Uponor ProPEX fitting for connection to Wirsbo hePEX™ pipe; the other end is manufactured to adapt a male thread. These adapters are not safe for direct burial in soil.

Note: Not for potable use.



✓ Description	Part number	A	B	C	Weight	Equiv. length (ft.)	Cv
ProPEX Brass Female Threaded Adapter, ½" PEX x ½" NPT	Q5575050	1.569"	1" HEX	½" NPT	0.14 lbs.	2.5	4.8
ProPEX Brass Female Threaded Adapter, ⅝" PEX x ¾" NPT	Q4576375	1.910"	1-3/16" HEX	¾" NPT	0.20 lbs.	-	-
ProPEX Brass Female Threaded Adapter, ¾" PEX x ¾" NPT	Q5577575	1.845"	1⅞" HEX	¾" NPT	0.20 lbs.	2.3	12.0
ProPEX Brass Female Threaded Adapter, ¾" PEX x 1" NPT	Q5577510	2.145"	1½" HEX	1" NPT	0.40 lbs.	3.6	10.8
ProPEX Brass Female Threaded Adapter, 1" PEX x 1" NPT	Q5571010	2.318"	1½" HEX	1" NPT	0.40 lbs.	3.8	19.7
ProPEX Brass Female Threaded Adapter, 1¼" PEX x 1¼" NPT	Q5571313	2.570"	2" HEX	1¼" NPT	1.00 lbs.	4.8	30.8
ProPEX Brass Female Threaded Adapter, 1½" PEX x 1½" NPT	Q5571515	2.854"	2½" HEX	1½" NPT	1.20 lbs.	5.1	40.9
ProPEX Brass Female Threaded Adapter, 2" PEX x 2" NPT	Q5572020	3.547"	3" HEX	2" NPT	2.20 lbs.	5.7	77.7

Installation

Use the appropriate ProPEX ring for Uponor PEX pipe (sold separately). Refer to the Uponor Radiant Installation Handbook, Complete Design Assistance Manual (CDAM), or Hydronic Piping Design Assistance Manual (HPDAM) for additional information.

Standards

CAN/CSA B137.5; ASTM F877; ASTM F1960; ASTM E84

Codes

IMC; UMC; IBC; IRC; NPC of Canada

Listings

NSF/ANSI 14; cNSFus-rfh; cQALus; ICC-ES

Related applications

Radiant heating and cooling systems
Snow and ice melting systems
Permafrost protection systems
Turf conditioning systems
Hydronic piping systems

Contact information

Uponor, Inc.
5925 148th Street West
Apple Valley, MN 55124 USA
Phone: 800.321.4739
Fax: 952.891.1409
uponorpro.com

Uponor Ltd.
6510 Kennedy Road
Mississauga, ON L5T 2X4 CANADA
Phone: 888.994.7726
Fax: 800.638.9517
uponorpro.com