

# ProPEX® Lead-free (LF) Brass Female Threaded Adapter

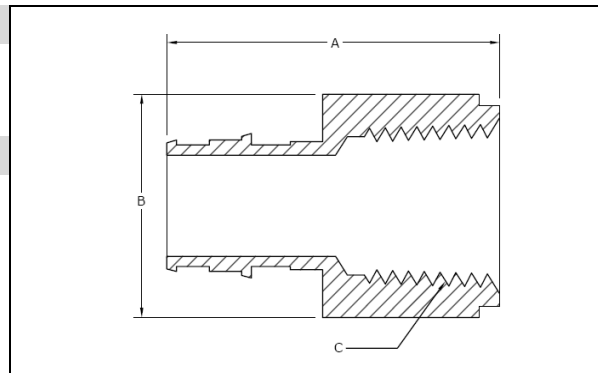
Submittal Information  
Revision B: June 8, 2012

## Project Information

Job Name:	
Location:	Part No. Ordered:
Engineer:	Date Submitted:
Contractor:	Submitted By:
Manufacturer's Representative:	Approved By:

## Technical Data

Material: C69300 Brass



## Product Information and Application Use

The ProPEX® Lead-free Brass Female Threaded Adapter connects Uponor PEX-a tubing to female NPT threads.<sup>1</sup> Use these fittings in hot and cold domestic potable water systems, residential fire sprinkler systems or hydronic radiant heating and cooling systems. One end of the adapter is manufactured with the Uponor ProPEX fitting for connections to Wirsbo hePEX™ tubing or Uponor AquaPEX® tubing. The other end of the adapter connects to copper. These adapters are safe for direct burial in soil.

✓ Description	Part Number	A	B	C	Weight
ProPEX LF Brass Female Threaded Adapter, ½" PEX x ½" NPT	LF4575050	1.57"	1" HEX	½" NPT	0.20 lbs.
ProPEX LF Brass Female Threaded Adapter, ½" PEX x ¾" NPT	LF4575075	1.75"	1 ⅜" HEX	¾" NPT	0.40 lbs.
ProPEX LF Brass Female Threaded Adapter, ¾" PEX x ¾" NPT*	LF4577575	1.87"	1 ⅜" HEX	¾" NPT	0.20 lbs.
ProPEX LF Brass Female Threaded Adapter, ¾" PEX x 1" NPT	LF4577510	2.21"	1 ½" HEX	1" NPT	0.40 lbs.
ProPEX LF Brass Female Threaded Adapter, 1" PEX x 1" NPT*	LF4571010	2.44"	1 ½" HEX	1" NPT	0.45 lbs.
ProPEX LF Brass Female Threaded Adapter, 1 ¼" PEX x 1 ¼" NPT*	LF4571313	2.57"	2" HEX	1 ¼" NPT	1.00 lbs.
ProPEX LF Brass Female Threaded Adapter, 1 ½" PEX x 1 ½" NPT*	LF4571515	2.75"	2 ½" HEX	1 ½" NPT	2.20 lbs.
ProPEX Brass Female Threaded Adapter, 2" PEX x 2" NPT*	LF4572020	3.53"	3" HEX	2" NPT	2.20 lbs.

## Installation

Use the appropriate ProPEX Ring for PEX-a tubing. Refer to the Uponor AquaPEX® Professional Plumbing Installation Guide, AquaSAFE™ Residential Fire Sprinkler Installation Guide or Uponor Radiant Installation Handbook for additional information.

## Standards

CAN/CSA B137.5; ASTM F877; ASTM F1960

## Codes

IPC; UPC; NSPC; NPC of Canada

## Listings

ANSI/NSF 14- and 61-certified; ICC ESR 1099; HUD MR 1269; U.P. Code, Annex G; \*UL 1821; \*ULC/ORD-C199P

## Related Applications

PEX-a Plumbing Systems  
Radiant Heating and Cooling Systems  
Snow and Ice Melting Systems  
Permafrost Protection Systems  
Turf Conditioning Systems  
AquaSAFE Fire Safety Systems

## Contact Information

Uponor, Inc.  
5925 148<sup>th</sup> Street West  
Apple Valley, MN 55124 USA  
Phone: (800) 321-4739  
Fax: (952) 891-1409  
www.uponorpro.com

Uponor Ltd.  
2000 Argentia Rd., Plaza 1, Ste. 200  
Mississauga, ON L5N 1W1 CANADA  
Phone: (888) 994-7726  
Fax: (800) 638-9517  
www.uponorpro.com

<sup>1</sup>ProPEX® is a registered trademark of Uponor, Inc. ProPEX™ is a trademark of Uponor Ltd.