

Brass Manifold Combination Adapter/Fitting Adapter

Submittal Information
Revision B: April 29, 2013

Project Information

Job Name:

Location:

Part No. Ordered:

Engineer:

Date Submitted:

Contractor:

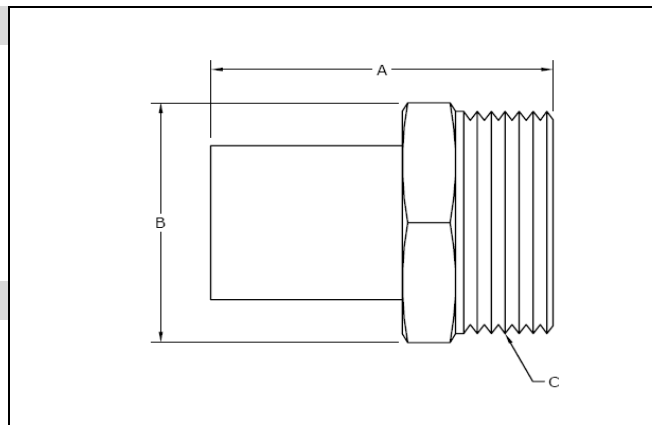
Submitted By:

Manufacturer's Representative:

Approved By:

Technical Data

Material: UNS C36000 per ASTM B16/B16M
Maximum Temperature (no pressure): 220°F (104°C)
Maximum Pressure: 125 psi



Product Information and Application Use

The Uponor Brass Manifold Combination Adapter/Fitting Adapter connects Uponor TruFLOW™ and Engineered Polymer (EP) Heating Manifolds to copper connections in radiant heating and cooling applications.

✓ Description	Part Number	A	B	C	Weight
Brass Manifold Adapter, R32 x ¾" Adapter or 1" Fitting Adapter	A4143210	2.24"	1.75"	R32	0.620 lbs.
Brass Manifold Adapter, R32 x 1" Adapter or 1¼" Fitting Adapter	A4133210	1.98"	1.75"	R32	0.620 lbs.
Brass Manifold Adapter, R32 x 1¼" Adapter or 1½" Fitting Adapter	A4123215	2.25"	1.75"	R32	0.625 lbs.

Installation

R32 threads into the Uponor TruFLOW and EP Heating Manifolds. Copper sweats to adapter or fitting adapter. For more information, refer to the Uponor Radiant Installation Handbook.

Standards

ASTM F877

Codes

N/A

Listings

NSF-rfh; R32: ISO 228-G 1¼" B

Related Applications

Radiant Heating and Cooling Systems

Contact Information

Uponor, Inc.
5925 148th Street West
Apple Valley, MN 55124 USA
Phone: 800.321.4739
Fax: 952.891.2008
www.uponorpro.com

Uponor Ltd.
2000 Argentia Road, Plaza 1, Suite 200
Mississauga, ON L5N 1W1 CANADA
Phone: 888.994.7726
Fax: 800.638.9517
www.uponorpro.com