

Wirsbo hePEX™ Tubing, Straight Lengths

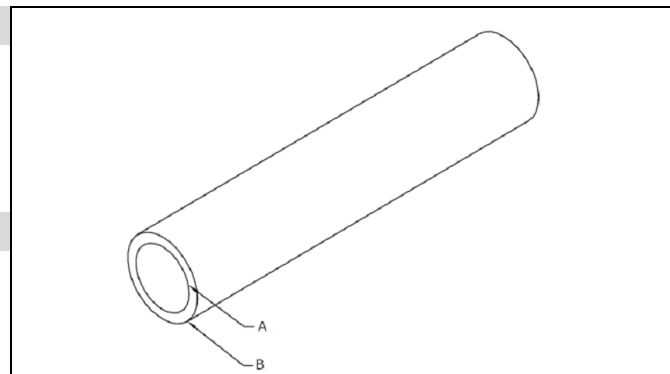
Submittal information
Revision J: May 2, 2019

Project information

Job name:	
Location:	Part no. ordered:
Engineer:	Date submitted:
Contractor:	Submitted by:
Manufacturer's representative:	Approved by:

Technical data

Material:	Crosslinked polyethylene PEX-a Engel method
Standard grade hydrostatic ratings (PPI):	200°F (93°C) at 80 psi 180°F (82°C) at 100 psi 73.4°F (23°C) at 160 psi
Linear expansion rate:	1.1"/10°F/100' (27.94mm/5.56°C/30.48m)



Product information and application use

Wirsbo hePEX™ tubing is used for closed-loop heating and cooling applications, including radiant and hydronic distribution. Wirsbo hePEX tubing has an EVOH oxygen diffusion barrier that meets German DIN 4726/9. A polyethylene layer extruded over the EVOH barrier protects tubing from site abuse and moisture saturation.

✓ Description	Part number	A	B	Bundle weight
½" Wirsbo hePEX, 20-ft. straight length, 500 ft. (25 per bundle)	A1930500	0.475"	0.625"	26.48 lbs.
⅝" Wirsbo hePEX, 20-ft. straight length, 300 ft. (15 per bundle)	A1930625	0.574"	0.750"	22.79 lbs.
¾" Wirsbo hePEX, 20-ft. straight length, 300 ft. (15 per bundle)	A1930750	0.671"	0.875"	30.07 lbs.
1" Wirsbo hePEX, 20-ft. straight length, 200 ft. (10 per bundle)	A1921000	0.862"	1.125"	34.19 lbs.
1¼" Wirsbo hePEX, 20-ft. straight length, 100 ft. (5 per bundle)	A1921250	1.054"	1.375"	24.10 lbs.
1½" Wirsbo hePEX, 20-ft. straight length, 100 ft. (5 per bundle)	A1921500	1.244"	1.625"	34.93 lbs.
2" Wirsbo hePEX, 20-ft. straight length, 100 ft. (5 per bundle)	A1922000	1.629"	2.125"	60.10 lbs.
2½" Wirsbo hePEX, 20-ft. straight length, 60 ft. (3 per bundle)	A1922500	2.011"	2.625"	55.30 lbs.
3" Wirsbo hePEX, 20-ft. straight length, 40 ft. (2 per bundle)	A1923000	2.400"	3.125"	51.90 lbs.

Installation

Use ProPEX® fittings for pipe sizes to 3".¹ Use WIPEX™ fittings for 3½" and 4" pipe. Refer to the Uponor Complete Design Assistance Manual (CDAM) or the Uponor Hydronic Piping Design Assistance Manual (HPDAM) for additional information.

Listings²

cNSFus-rfh; cNSFus-pw; cQAIus P321; UL; CSA; PPI TR-4; ICC-ES; CCMC

Codes

ICC; IPC; IMC; IRC; UPC; UMC; NSPC; HUD; UFGS; NPC of Canada; NBC of Canada; IAPMO

Standards

ANSI/NSF 14; ANSI/NSF 61; ASTM F876; ASTM F877; ASTM F1960; ASTM F2023; ASTM E84; CAN/ULC S102.2; ASTM E119/UL 263; CAN/ULC S101; ASTM E814/ULC S115; CSA B137.5; CSA B214; DIN 4726/9; AWWA C904³

Related applications

Radiant heating and cooling systems
Snow and ice melting systems
Permafrost protection systems
Turf conditioning systems
Chilled water distribution
Hot water distribution

Contact information

Uponor Inc.
5925 148th Street West
Apple Valley, MN 55124 USA
Phone: 800.321.4739
Fax: 952.891.2008
uponorpro.com

Uponor Ltd.
6510 Kennedy Road
Mississauga, ON L5T 2X4 CANADA
Phone: 888.994.7726
Fax: 800.638.9517
uponorpro.com

¹ProPEX® is a registered trademark of Uponor Inc. ProPEX™ is a trademark of Uponor Ltd.

²Visit listing agency's website for complete information.

³For ¾" to 3" pipe.