

ProPEX® Lead-free (LF) Brass Water Meter Service Valve

Submittal information
Revision B: Feb. 27, 2018

Project information

Job name:	
Location:	Part no. ordered:
Engineer:	Date submitted:
Contractor:	Submitted by:
Manufacturer's representative:	Approved by:

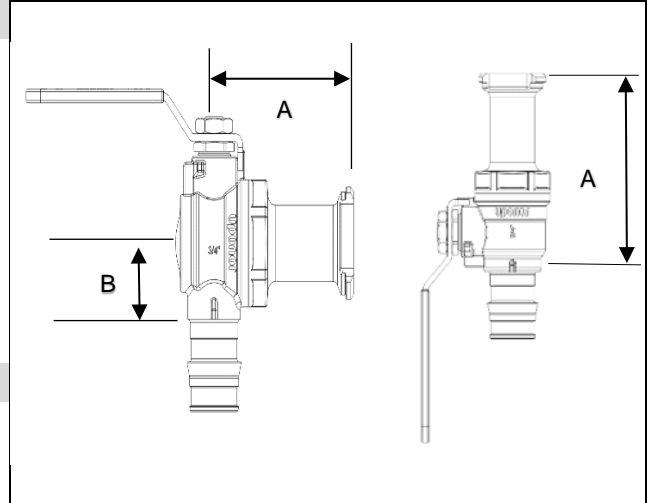
Technical data

Material: Valve: C27453 lead-free (LF) brass per ASTM B283/B283M
Metal nut: UNS CW614 per ASTM B16/B16M
EP nut: Polypropylene GF30 black
Gasket: EPDM

Max. temp. (no pressure): 180°F (82.2°C)

Min. fluid temp.: -30°F (-34°C)

Max. working pressure: 100 psi



Product information and application use

Use Uponor ProPEX® lead-free (LF) brass water meter service valves in all commercial sub-metering and residential water service inlets, outlets or both.¹ The valves allow for a direct ASTM F1960 connection to water meters sized 5/8" to 1". Valve is sized for 3/4" or 1" Uponor AquaPEX® tubing.

✓ Description	Part number	A	B	C (Nut size)	D (Gasket thickness)	Weight	Cv
ProPEX LF Brass Straight Water Meter Valve Connector, 3/4" PEX x 1" NPSM	WS4820750	2.814"	N/A	3/4-1 NPSM	0.118"	0.76 lbs.	13.0
ProPEX LF Brass Straight Water Meter Valve Connector, 1" PEX x 1 1/4" NPSM	WS4821000	3.302"	N/A	1-1 1/4 NPSM	0.118"	1.22 lbs.	25.5
ProPEX LF Brass Elbow Water Meter Valve Connector, 3/4" PEX x 1" NPSM	WS4820751	2.250"	0.780"	3/4-1 NPSM	0.118"	0.76 lbs.	6.1
ProPEX LF Brass Elbow Water Meter Valve Connector, 1" PEX x 1 1/4" NPSM	WS4821001	2.625"	0.827"	1-1 1/4 NPSM	0.118"	1.24 lbs.	10.4

Installation

ProPEX tool and ProPEX rings (sold separately) are required for connecting the PEX tubing. For more information, refer to the Uponor AquaPEX professional plumbing installation guide.

Standards

CAN/CSA B137.5; ASTM F877; ASTM F1960

Codes

IPC; UPC; NSPC; NPC of Canada

Listings

NSF/ANSI 14- and 61- certified; U.P. Code, Annex G; NSF 359

Related applications

PEX plumbing systems

Contact information

Uponor Inc.
5925 148th Street West
Apple Valley, MN 55124 USA
T 800.321.4739
F 952.891.2008
uponorpro.com

Uponor Ltd.
6510 Kennedy Road
Mississauga, ON L5T 2X4 CANADA
T 888.994.7726
F 800.638.9517
uponorpro.com

¹ProPEX® is a registered trademark of Uponor Inc. ProPEX™ is a trademark of Uponor Ltd.