

ProPEX® Lead-free (LF) Copper Stub Ell, PEX LF Brass x Copper

Submittal information
Revision B: March 20, 2017

Project information

Job name:

Location:

Part no. ordered:

Engineer:

Date submitted:

Contractor:

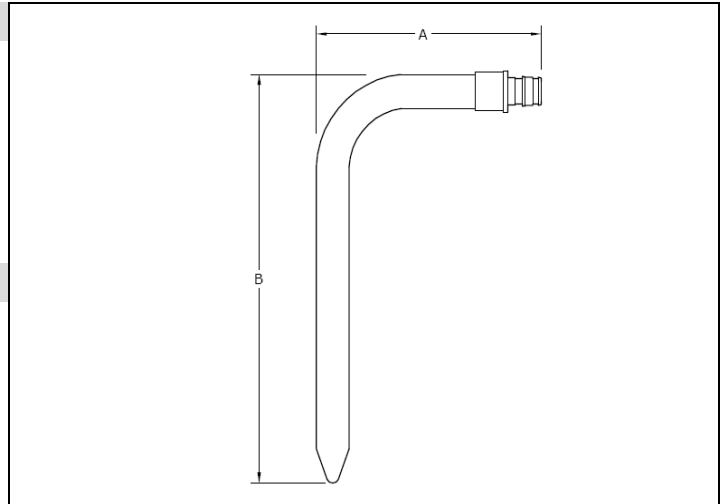
Submitted by:

Manufacturer's representative:

Approved by:

Technical data

Material: C69300 brass; type L copper



Product information and application use

Uponor ProPEX® lead-free (LF) copper stub ells provide a 90-degree transition from Uponor AquaPEX® tubing to copper.¹

Copper stub ells are comprised of ½", ¾" or 1" type L copper pipe with an Uponor ProPEX fitting on one end and the other end spun closed.

✓ Description	Part number	A	B	Weight
ProPEX LF Copper Stub Ell, ½" PEX LF Brass x ½" Copper (3½" x 8")	LF2865050	4.75"	8.30"	0.20 lbs.
ProPEX LF Copper Stub Ell, ½" PEX LF Brass x ½" Copper (8" x 13")	LF2895050	8.30"	13.30"	0.50 lbs.
ProPEX LF Copper Stub Ell, ½" PEX LF Brass x ½" Copper (13" x 8")	LF2855050	13.30"	8.30"	0.50 lbs.
ProPEX LF Copper Stub Ell, ¾" PEX LF Brass x ¾" Copper (4" x 8")	LF2897575	5.00"	8.00"	0.20 lbs.
ProPEX LF Copper Stub Ell, 1" PEX LF Brass x 1" Copper (13" x 16")	LF2891010	13.56"	16.0"	1.7 lbs.

Installation

Refer to the Uponor AquaPEX Professional Plumbing Installation Guide for additional information.

Standards

CAN/CSA B137.5; ASTM F877; ASTM F1960

Codes

IPC; UPC; NSPC; NPC of Canada

Listings

ANSI/NSF 14- and 61-certified; HUD MR 1269; ICC ESR 1099; U.P. Code, Annex G

Related applications

PEX-a plumbing systems

Contact information

Uponor Inc.
5925 148th Street West
Apple Valley, MN 55124 USA
T 800.321.4739
F 952.891.2008
uponorpro.com

Uponor Ltd.
2000 Argentinia Rd., Plaza 1, Ste. 200
Mississauga, ON L5N 1W1 CANADA
T 888.994.7726
F 800.638.9517
uponorpro.com

¹ProPEX® is a registered trademark of Uponor, Inc. ProPEX™ is a trademark of Uponor Ltd.