



# Uponor

RADIANT HEATING AND  
COOLING SYSTEMS

## SINGLE-STAGE SETPOINT CONTROLLER WITH FLOOR SENSOR

**TECHNICAL BULLETIN**

### Affected Product

- A3041501 Single-stage Setpoint Controller with Floor Sensor

### Symptom

The thermostat will not power up and is unable to create a heat demand.

### Issue

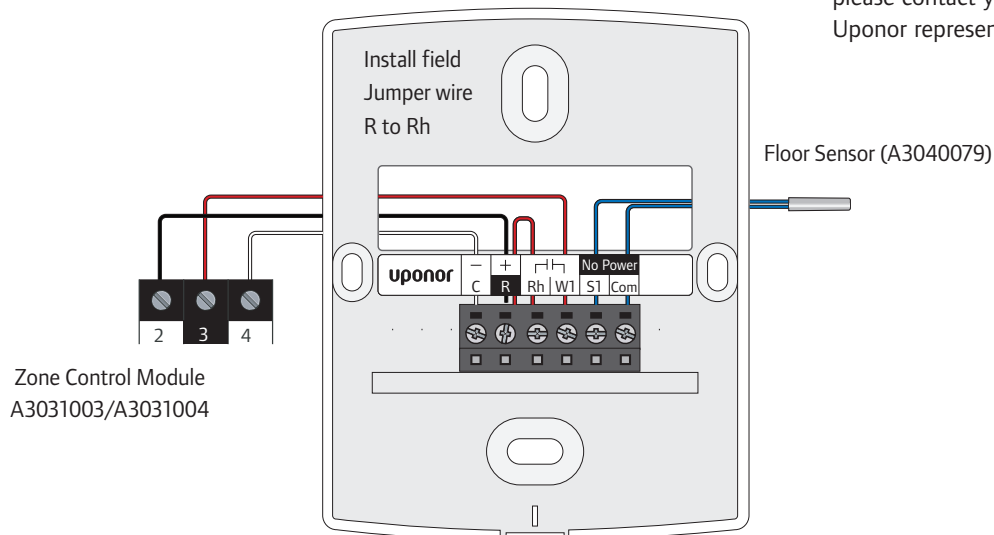
The wiring connections in the Thermostat Wiring section on page 9 of the Installation and Operation Manual are incorrect for the Zone Control Modules (A3031003/A3031004).

### Corrective Action

Follow the wiring schematic below to properly wire the thermostat.

Note that the Single-stage Setpoint Controller with Floor Sensor Installation and Operation Manual is being updated with the correct wiring schematic and the new literature will be included in all future product shipments.

If you have further questions, please contact your local Uponor representative.



**Uponor, Inc.**  
5925 148th Street West  
Apple Valley, MN 55124 USA  
Tel: 800.321.4739  
Fax: 952.891.2008  
[www.uponopro.com](http://www.uponopro.com)

**Uponor Ltd.**  
2000 Argentia Rd., Plaza 1, Ste. 200  
Mississauga, ON L5N 1W1 CANADA  
Tel: 888.994.7726  
Fax: 800.638.9517  
[www.uponopro.com](http://www.uponopro.com)