



Uponor

RADIANT HEATING SYSTEMS

REMOTE START AND STOP MODULE

INSTRUCTION SHEET

Introduction

The Uponor Remote Start and Stop Module (part number A3040039) provides the user with the ability to start and stop an Uponor snow and ice melting system. This module also adjusts the running time of the system.

The Remote Start and Stop Module works specifically with the following Uponor snow and ice melting controls, which feature a tN2 terminal to support the module.

- proMIX™ 212
- SYSTEMpro™ 311
- SNOWpro™ 411

Note: Do not use this module with the Uponor proMIX 101 or proMIX 201, which do not support a tN2 device.

Installation

Removing the Front Cover

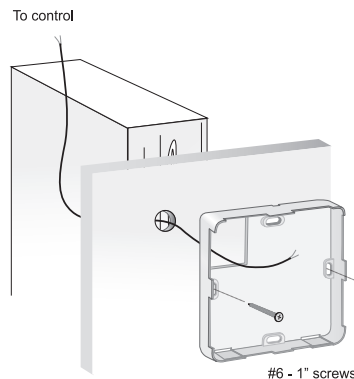
Refer to the following instructions to properly remove the front cover for installation.

1. Place a screwdriver or similar object into the small slot located in the top of the module.
2. Push the screwdriver against the plastic tab and pull the top of the front cover so that it pivots around the bottom edge of the module.

Mounting the Module

Refer to the following instructions to properly mount the module.

1. Securely install the base of the module in the desired location.
2. Mount the module directly to the desired location using two #6 – 1" screws.



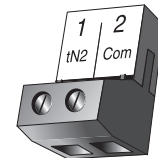
3. Insert the screws through the mounting holes and securely fasten them to the desired location. If possible, at least one of the screws should enter a wall stud or similar surface.

Note: If the module is mounted to a 2x4 electrical box, use a Cover Plate for 500 Series Controllers (part number A3040007). This plate mounts to the electrical box, and the module, in turn, mounts to the plate.

Wiring the Module

Refer to the following instructions to properly wire the module.

1. Run 18 AWG twisted pair or similar wire between the module and the control.
2. Insert the wires through the hole provided in the back of the module enclosure and connect them to the Com and tN2 terminals.



Caution: Do not run the wires parallel to telephone or power lines as this may interfere with the operation of the module. If the module wires are located in an area with strong sources of electromagnetic noise, use shielded cable or run the wires in a grounded metal conduit.

Caution: Do not apply power to the module. Wire the module directly to the control. Because the connection between the control and the module is polarity sensitive, ensure the Com terminal of the module is connected to the appropriate terminal of the control. If the wires are reversed, the module will not function and the control will display a short circuit error for the tN2 device.

Installing the Front Cover

Refer to the following instructions to properly install the front cover.

1. Align the hinges on the bottom of the front cover with the bottom of the module mounting base.
2. Pivot the front cover around the bottom hinges and push the top against the mounting base until it snaps firmly in place.

Settings

Setting the Running Time

To set the desired running time, turn the dial on the module until the desired running time is displayed in the window.

Note: If you select an infinite (no limit) run time, the snow and ice melting system runs continuously until warm-weather shut down (WWSD) or cold-weather cut off (CWCO) occurs, or until someone presses the start/stop button on the module.

Limiting the Time Range

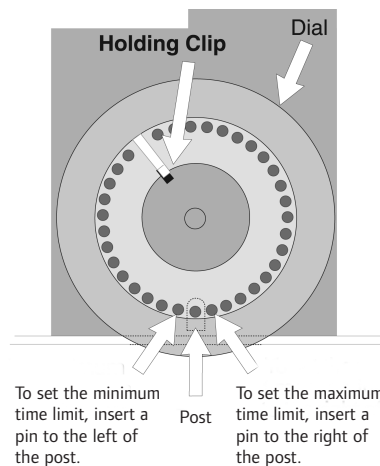
You can limit the time range on the module to avoid extreme time settings or any tampering with the setting. Refer to the following instructions to properly limit the time range.

1. Turn the dial until the desired time is at the bottom of the module.
2. Remove the front cover by following the steps in the Removing the Front Cover section of this instruction sheet.
3. Lift and pull the scale off the dial. Be careful not to turn the dial while removing the scale.
4. With the scale off, a series of small holes are visible around the dial.
5. Behind the dial there is a post, which can be used to limit the rotation of the dial. Two aluminum limit pins are provided in the dial. Refer to the Setting a Minimum Time Limit section for specific instructions about how to set the limits (minimum, maximum and fixed).

Setting a Minimum Time Limit

Refer to the following instructions to set a minimum time limit.

1. Remove one of the limit pins and re-insert it into the hole that is slightly to the left of the post at the bottom of the dial.
2. With the pin in place, the dial should only rotate clockwise from its current position because the counterclockwise rotation is now restricted by the pin.



Setting a Maximum Time Limit

Refer to the following instructions to set a maximum time limit.

1. Remove one of the limit pins and re-insert it into the hole that is slightly to the right of the post at the bottom of the dial.
2. With the pin in place, the dial should only rotate counterclockwise from its current position because the clockwise rotation is now restricted by the pin.

Setting a Fixed Time

Refer to the following instructions to set a fixed time.

1. Insert one of the pins into the hole located in the bottom of the dial so the pin enters the post behind the dial.
2. With the pin in place, the dial is fixed in position.

Replacing the Scale

After making the proper settings, refer to the following instructions to replace the scale.

1. Replace the scale by sliding it onto the dial until the rectangular hole slips into the holding clip.
2. Replace the front cover by reversing the steps in the Removing the Front Cover section of this instruction sheet.

Operation

Starting the Snow and Ice Melting System

To start the snow and ice melting system, press and release the button on the face of the module.

Indicator Light

The indicator light on the face of the module provides a visual indication of the current operating status of the snow and ice melting system. Refer to **Table 1** on page 3 for an explanation of each indicator light.

Stopping the Snow and Ice Melting System

To stop the snow and ice melting system, press and release the button on the face of the module.



Indicator Light	Description
Flashing Green	Indicates the snow and ice melting system is currently coming up to its desired snow-melting temperature.
Solid Green	Indicates the snow and ice melting system is currently operating at its desired snow-melting temperature.
Solid Red	Displays for five seconds after the module button is pushed to stop snow-melting operation. Note: If the snow and ice melting system is stopped while there is still an external demand for snow melting, the solid red indicator light displays until the external demand is removed. Refer to the Snow and Ice Melting Control Instruction Sheet for a description of an external demand.
Flashing Red	Indicates the snow and ice melting control is currently displaying an error message. Refer to the Snow and Ice Melting Control Instruction Sheet for an explanation of the error message and steps to follow for troubleshooting the error.

Table 1: Indicator Light Descriptions

Technical Data

Literature	Remote Start and Stop Module Instruction Sheet
Packaged Weight	0.22 lb. (100g), Enclosure G, white PVC plastic
Dimensions	2 $\frac{7}{8}$ " H x 2 $\frac{7}{8}$ " W x 1 $\frac{3}{16}$ " D (73 x 73 x 21mm)
Approvals	CSA NRTL/C, meets DOC and FCC regulations for EMI/RFI
Ambient Conditions	Indoor use only, 32 to 122°F (0 to 50°C), < 90% RH non-condensing
Power Supply	Uponor control; tN2 and Common terminal

Uponor, Inc.
 5925 148th Street West
 Apple Valley, MN 55124
 Tel: (800) 321-4739
 Fax: (952) 891-1409
Web: www.uponor-usa.com
E-mail: learnmore@uponor-usa.com

Uponor Ltd.
 655 Park Street
 Regina, SK S4N 5N1
 Tel (888) 994-7726
 Fax (800) 638-9517
Web: www.uponor.ca
E-mail: info@uponor.ca

uponor