

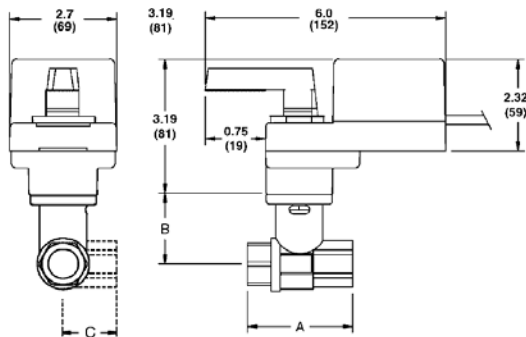
THREE-WAY FLOATING ACTION VALVE WITH ACTUATOR

Specifications

Service	chilled or hot water, 60% glycol
Flow characteristic	"A" port equal percent "B" port modified linear
Action	Maximum 95° rotation
Sizes	1", 1 1/4", 1 1/2"
Type of end fitting	female, NPT
Materials:	
Body	forged brass, nickel plated
Ball	stainless steel (standard)
Stem	stainless steel (standard)
Seals	fiberglass reinforced teflon [®] PTFE
Characterizing disc	TEFZEL [®]
Packing	2 EPDM O-rings, lubricated
Pressure rating	600 psi (1" - 1 1/4") 400 psi (1-1/2")
Media temp. range	0°F to 212°F (-18°C to 100°C)
Close off pressure	200 psi
Maximum differential	Full port: on/off 150 psi
Maximum differential pressure	Characterized "A" port: 30 psi for quiet service 50 psi maximum
Weight	1" 1.2 lbs
	1 1/4" 1.2 lbs
	1 1/2" 1.8 lbs

Actuator Technical Data

Power supply	24 VAC± 20% 50/60 Hz
Power consumption	2 W
Transformer sizing	3.5 VA (class 2 power source)
Electrical connection	3 ft, 18 GA plenum rated cable
Overload protection	electronic throughout 0 to 95° rotation
Angle of rotation	max 95° adjust with mechanical stops



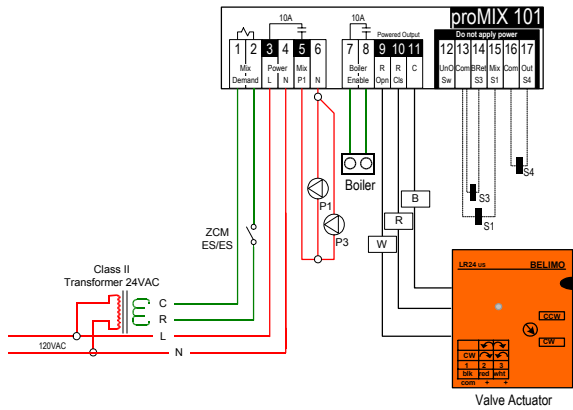
		Dimensions in inches		
Valve	Part #	A	B	C
1"	A3131000	3.43	1.87	1.71
1 1/4"	A3131250	4.02	1.87	2.00
1 1/2"	A3131500	4.45	2.05	2.22



Three-Way Floating Action Valve with Actuator

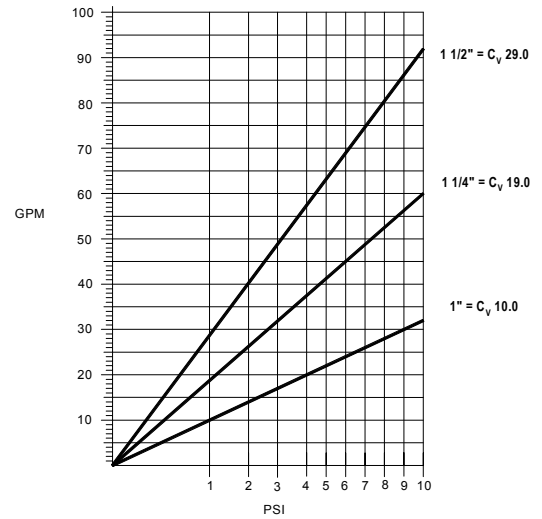
INSTALLATION NOTES

- Avoid installations where valve may be exposed to excessive moisture, corrosive fumes, vibration, high ambient temperatures, elements, or high traffic areas with potential for mechanical damage.
- Valve assembly location must be within ambient ratings of actuator. If temperature is below -22°F a heater is required.
- The valve assembly will require heat shielding, thermal isolation, or cooling if combined effect of medium and ambient temperatures –conduction, convection, and radiation — is above 122°F for prolonged time periods at the actuator.
- Strainers should be installed before valve.
- Visual access must be provided. Assembly must be accessible for routine scheduled service. Contractor should provide unions for removal from line and isolation valves.
- Ensure the actuator motor is set to the CW position. The actuator arm should be in the full closed position — against the right hand stop.
- Do not force the actuator arm. Push the actuator motor manual release button while moving the arm.
- The actuator arm has a total travel of 95 degrees. It will take the actuator between 80 to 110 seconds to reset itself upon start-up.
- Sufficient upstream and downstream piping runs must be provided to ensure proper valve capacity and flow response. Five diameters in each direction are recommended.
- Normal thread engagement between male pipe thread and valve body should be observed. Pipe run that is in too far will damage the valve (11/16" of an inch is normal).



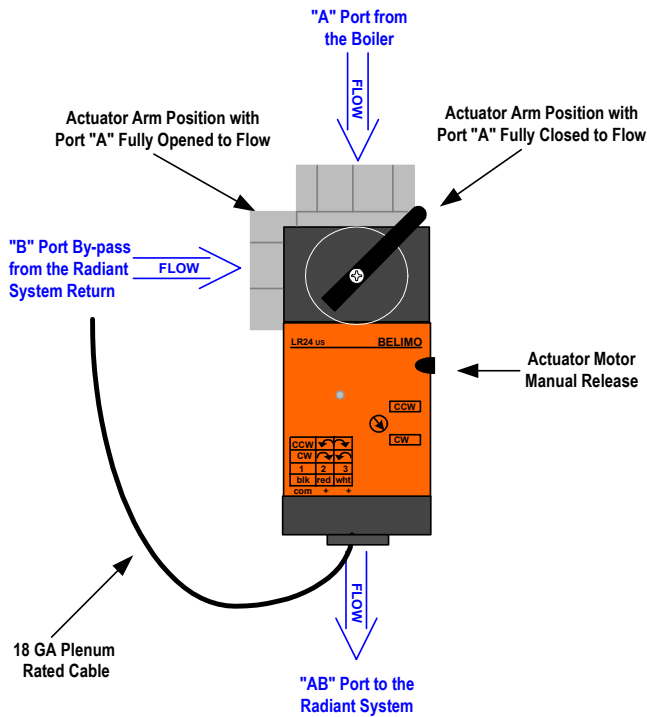
Electrical Schematic for Wirsbo proMIX™ 101

NOTE: Electrical schematic for SYSTEMpro 311 requires external low voltage source in order to operate the valve. Refer to the Wirsbo SYSTEMpro 311 manual for more information.

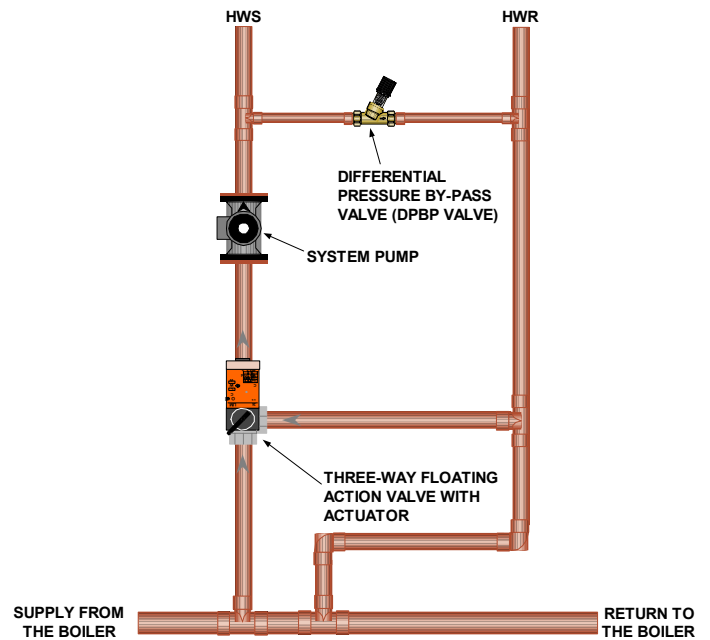


C_v Chart

(convert PSI to Feet of Head: PSI x 2.306)



Actuator Body Detail



Typical Piping Detail

Uponor Wirsbo
5925 148th STREET WEST
APPLE VALLEY, MN 55124

TEL: 800-321-4739
FAX: 952-891-1409
www.wirsbo.com

Copyright © 2002 Uponor Wirsbo, Printed in the United States

